

9 5 1 - 4 X 0 N - X X X

XCede BACKPLANE MODULE MALE STANDARD LOAD

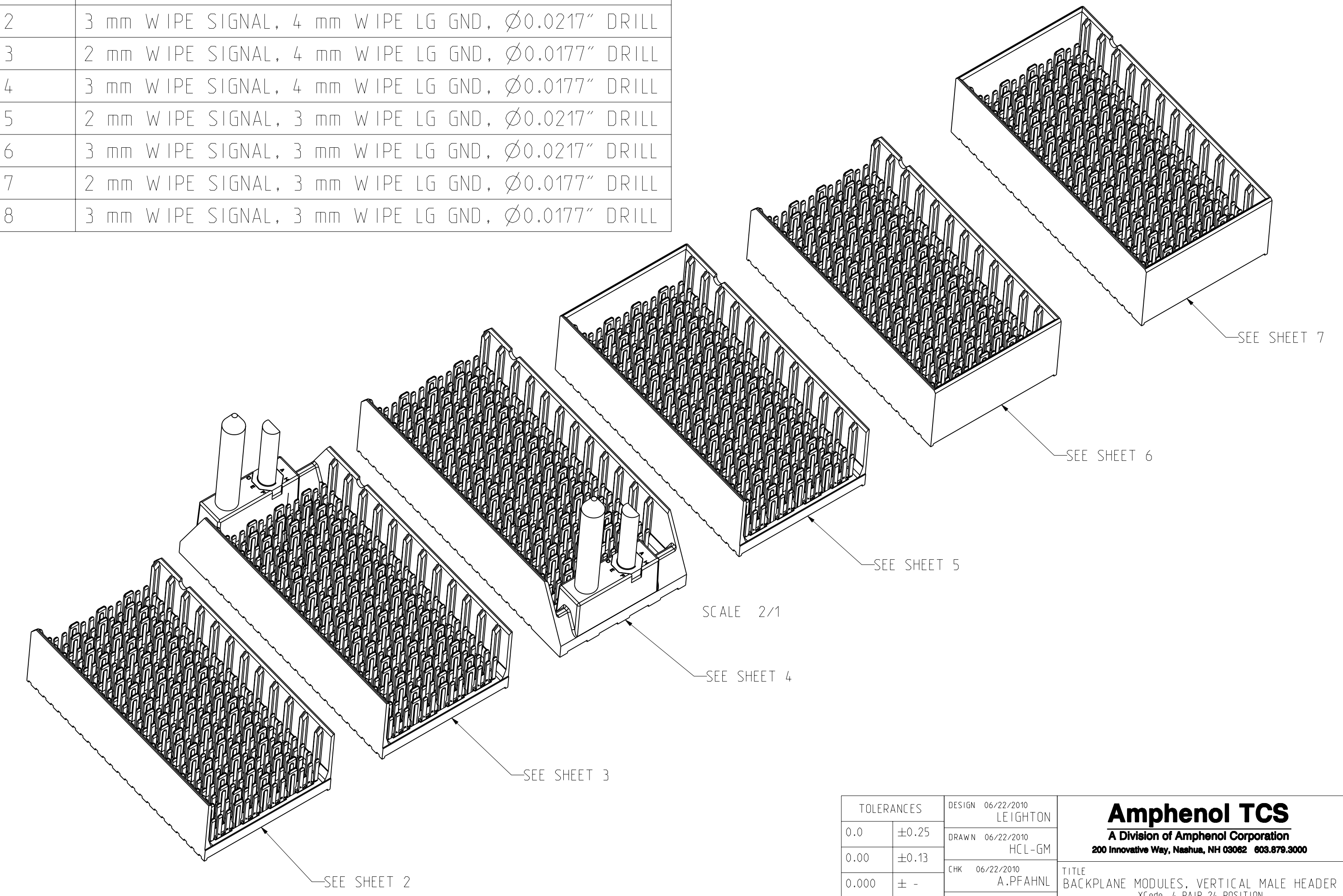
4 PAIR
24-POSITION

PLATING	
LETTER	DESCRIPTION
B	Ni SULFAMATE, STANDARD GOLD, LEADED
C	Ni SULFAMATE, HIGH GOLD, LEADED
D	Ni SULFAMATE, STANDARD GOLD, LEAD-FREE
E	Ni SULFAMATE, HIGH GOLD, LEAD-FREE
F	NANO Ni, STANDARD GOLD, LEADED
G	NANO Ni, HIGH GOLD, LEADED
H	NANO Ni, STANDARD GOLD, LEAD-FREE
J	NANO Ni, HIGH GOLD, LEAD-FREE

NUMBER	PIN STYLE, HEIGHT
0	GUIDE PIN MACHINED, 31.6mm / NONE
1	GUIDE PIN ROLLED, 31.6mm
4	GUIDE PIN MACHINED, 25.7mm
5	GUIDE PIN ROLLED, 25.7mm

NUMBER	SIGNAL & LG. GROUND WIPE LENGTH, COMPLIANT PIN SIZE
1	2 mm WIPE SIGNAL, 4 mm WIPE LG GND, Ø0.0217" DRILL
2	3 mm WIPE SIGNAL, 4 mm WIPE LG GND, Ø0.0217" DRILL
3	2 mm WIPE SIGNAL, 4 mm WIPE LG GND, Ø0.0177" DRILL
4	3 mm WIPE SIGNAL, 4 mm WIPE LG GND, Ø0.0177" DRILL
5	2 mm WIPE SIGNAL, 3 mm WIPE LG GND, Ø0.0217" DRILL
6	3 mm WIPE SIGNAL, 3 mm WIPE LG GND, Ø0.0217" DRILL
7	2 mm WIPE SIGNAL, 3 mm WIPE LG GND, Ø0.0177" DRILL
8	3 mm WIPE SIGNAL, 3 mm WIPE LG GND, Ø0.0177" DRILL

	LETTER									
LEFT POLARIZING GUIDANCE (SEE SHEET 3)	N	J (NO KEY)	A	B	C	D	E	F	G	H
	NO KEY NO GUIDEPIN									
RIGHT POLARIZING GUIDANCE (SEE SHEET 4)	Z	Y (NO KEY)	P	Q	R	S	T	U	V	W
	NO KEY NO GUIDEPIN									
OPEN (SEE SHEET 2)	O (ZERO)									
LEFT WALL (SEE SHEET 5)	L									
RIGHT WALL (SEE SHEET 6)	M									
TWO WALL (SEE SHEET 7)	1									



- NOTES:
- REFER TO TB-2150 FOR XCede PRODUCT SPECIFICATIONS.
 - NOTCH DESIGNATES "ROW A" SIDE OF SHROUD. NOTCH FEATURE ON OPPOSITE SIDE FROM PART MARKING.
 - PART MARKING AS FOLLOWS:
 LINE 1: "ATCS" AND DATECODE (ATCS YYWW).
 LINE 2: MODULE PART NUMBER (951-####-###).
 LINE 3: WORK ORDER NUMBER (#####),
 WHERE "*" DENOTES MANUFACTURING LOCATION.
 - PLATING THICKNESS OF SIGNAL CONTACT AND GROUND CONTACT IS DETERMINED BY PLATING CODE. SEE PART NUMBER TREE SHEET 1.
 - REPAIR PROCEDURE FOR MODULE, SEE TB-2210.
 - SEE TB-2149 FOR ROUTING GUIDELINES & PTH REQ'S.
 - SEE DOC C190-1001-000 FOR TOOLING KEEPOUT ZONES.
 - BACKPLANE DATUM REFERENCE.
 - OPTIONAL HOLE/MOUNTING SCREW LOCATION FOR GROUNDED PIN OR ADDITIONAL GUIDE PIN SUPPORT. REFER TO TB-2211 FOR PROPER GUIDE PIN SELECTION AND DRAWING C942-4010-000 FOR OPTIONAL HOLE DETAILS. ONLY APPLIES FOR MACHINED GUIDE PIN APPLICATIONS.
 - DIMENSIONS APPLY FOR BOTH COMPLIANT PIN SIZES.

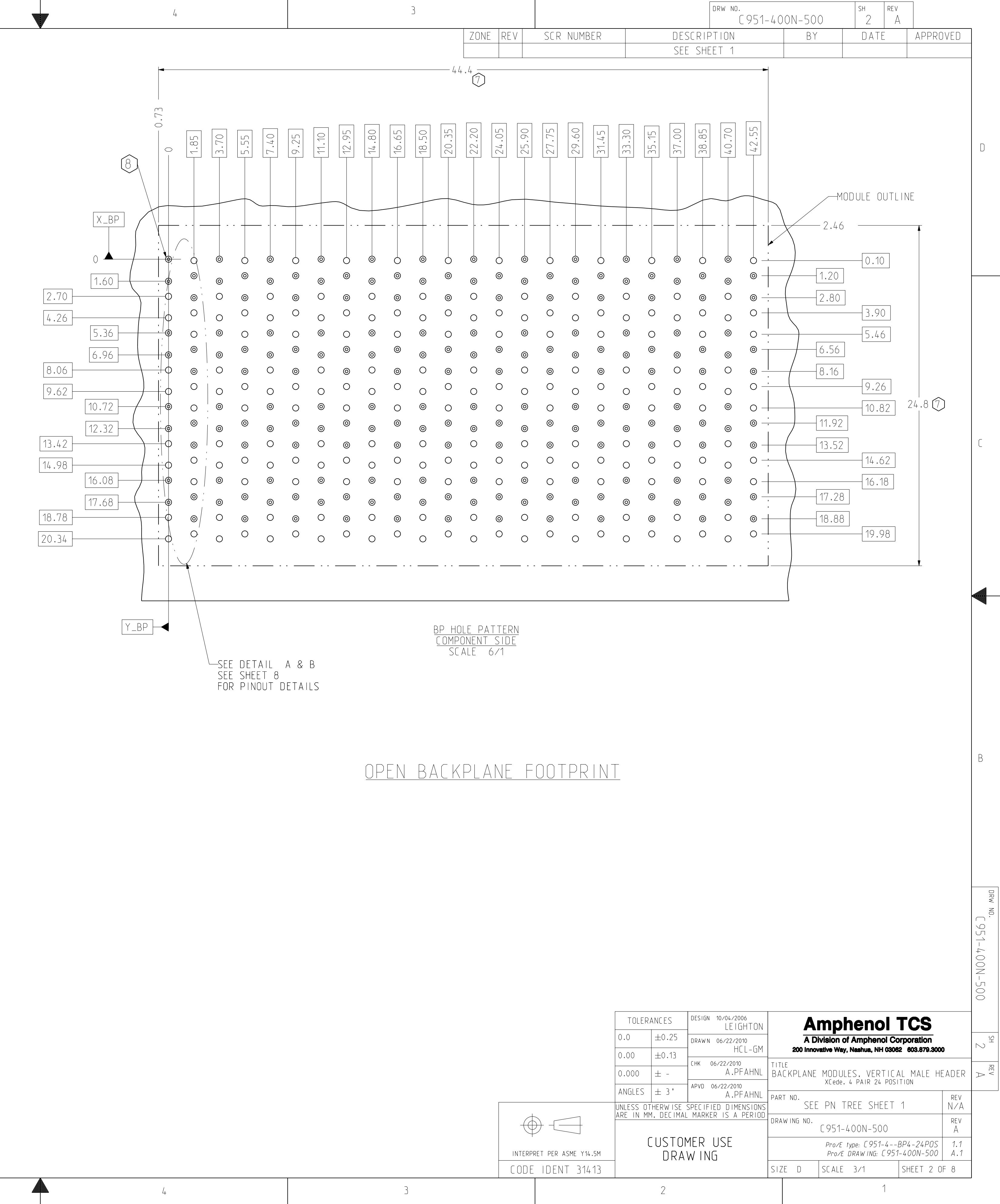
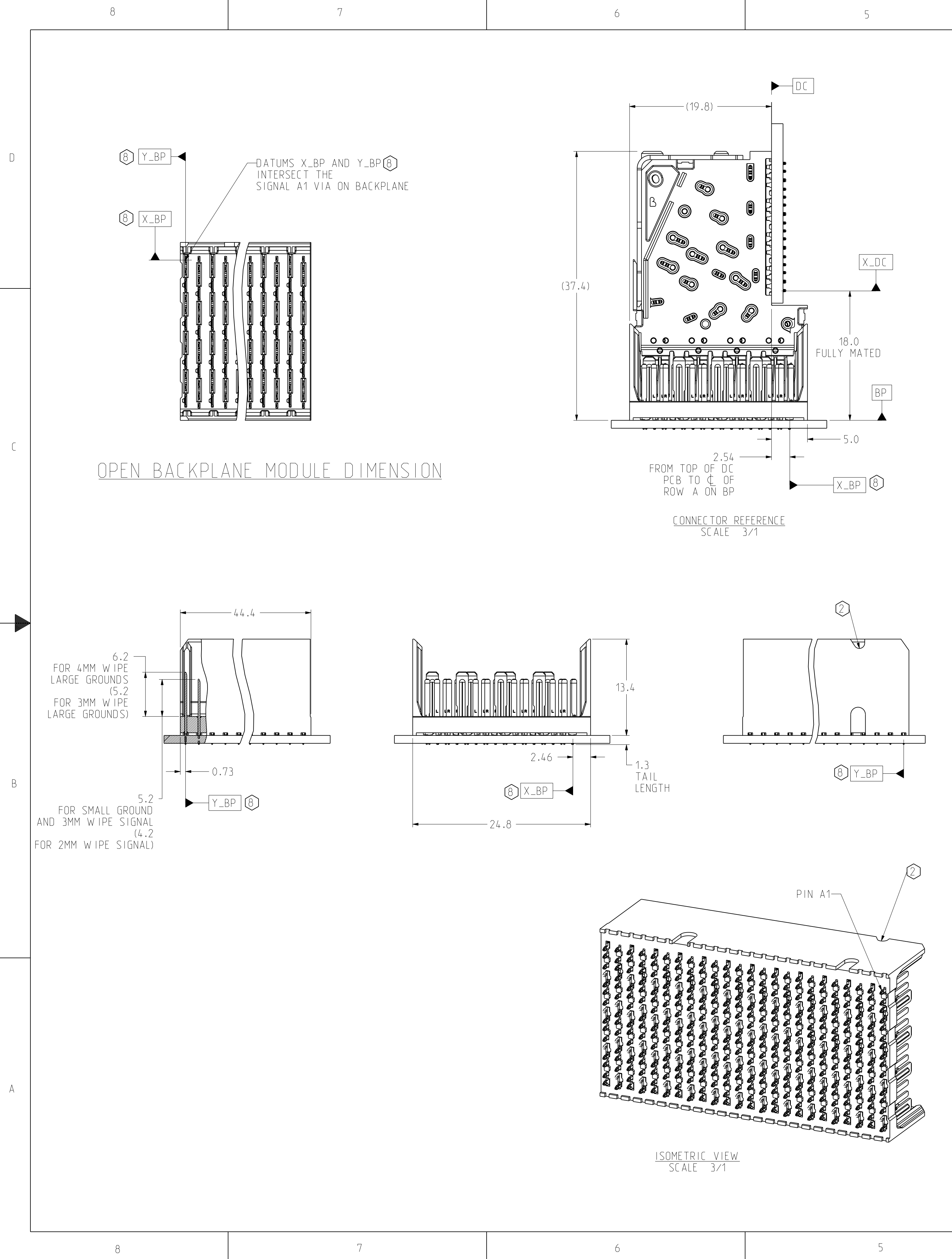
 INTERPRET PER ASME Y14.5M CODE IDENT 314.13	TOLERANCES 0.0 ±0.25 0.00 ±0.13 0.00 ± - ANGLES ± 3°	DESIGN 06/22/2010 LEIGHTON DRAWN 06/22/2010 HCL-GM CHK 06/22/2010 A.PFAHNL APVD 06/22/2010 A.PFAHNL	Amphenol TCS A Division of Amphenol Corporation 200 Innovative Way, Nashua, NH 03062 803.879.3000
	TITLE BACKPLANE MODULES, VERTICAL MALE HEADER XCede, 4 PAIR 24 POSITION	PART NO. SEE PN TREE SHEET 1	DRAWING NO. C951-400N-500

DRAW NO. C951-400N-500

SH 1 REV A

CUSTOMER USE DRAWING

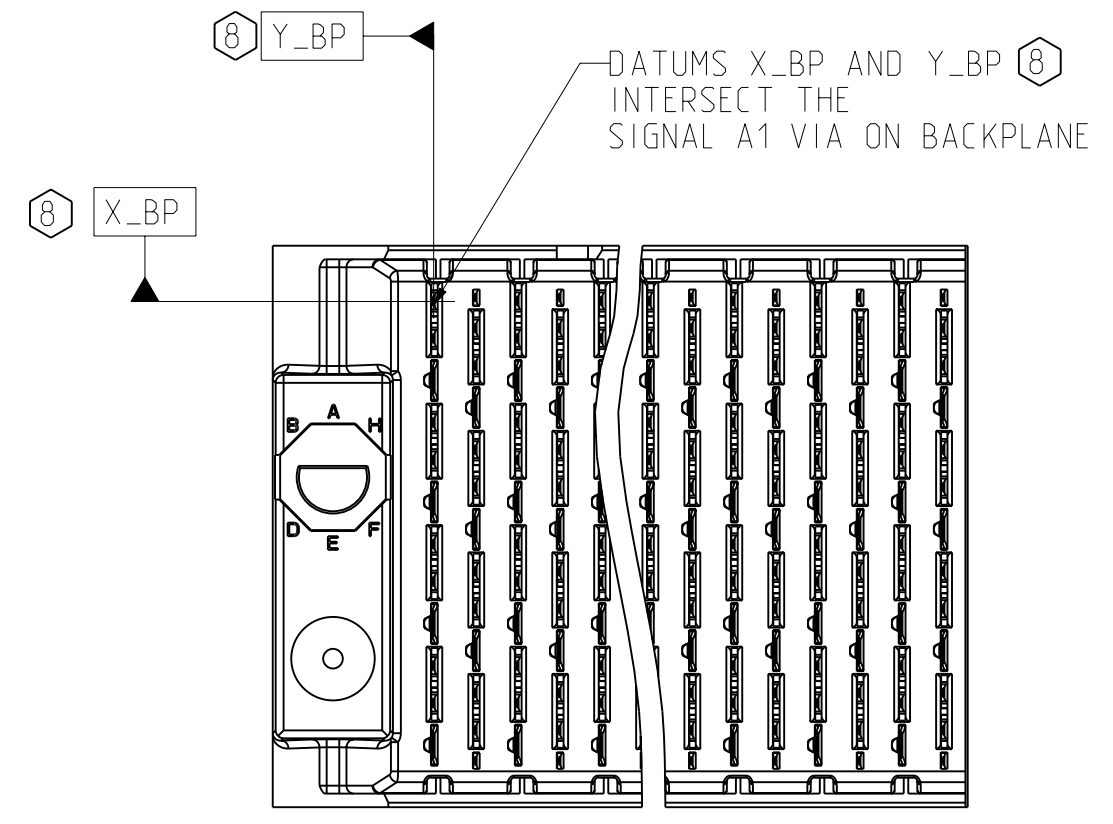
DRW NO.	C951-400N-500	SH	2	REV	A	
ZONE	REV	SCR NUMBER	DESCRIPTION	BY	DATE	APPROVED
			SEE SHEET 1			



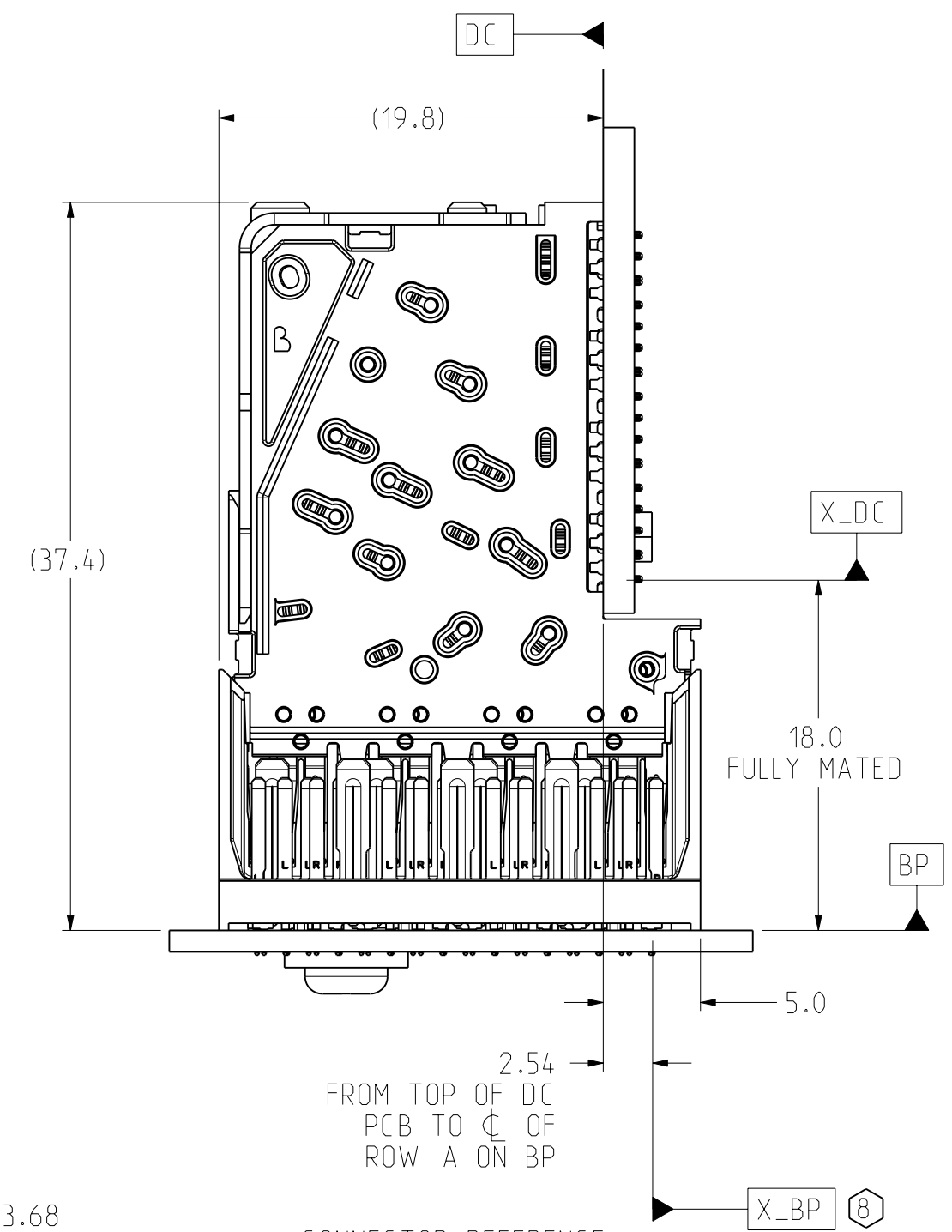
TOLERANCES		DESIGN 10/04/2006	Amphenol TCS A Division of Amphenol Corporation 200 Innovative Way, Nashua, NH 03062 803.879.3000	TITLE BACKPLANE MODULES, VERTICAL MALE HEADER XCode, 4 PAIR 24 POSITION
0.0	±0.25	LEIGHTON		
0.00	±0.13	DRAWN 06/22/2010		
0.000	± -	CHK 06/22/2010		
ANGLES ± 3°		APVD 06/22/2010	A.PFAHNL	PART NO. SEE PN TREE SHEET 1
UNLESS OTHERWISE SPECIFIED DIMENSIONS ARE IN MM. DECIMAL MARKER IS A PERIOD			DRAWING NO. C951-400N-500	REV N/A A
CUSTOMER USE DRAWING			Pro/E Type: C951-4-BP4-24POS Pro/E DRAWING: C951-400N-500	SCALE 3/1 SHEET 2 OF 8

INTERPRET PER ASME Y14.5M
CODE IDENT 31413

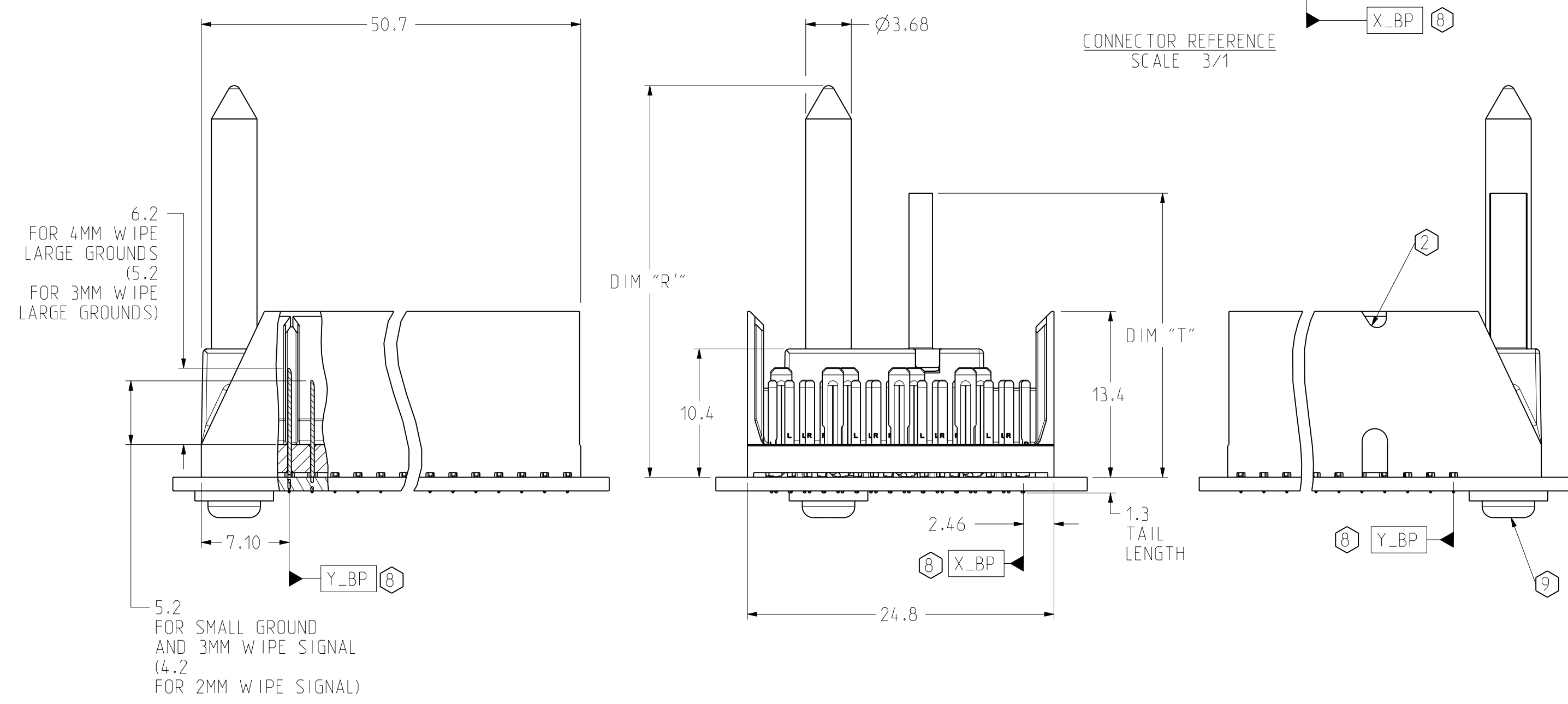
DRW NO. C951-400N-500
SH 2
REV A



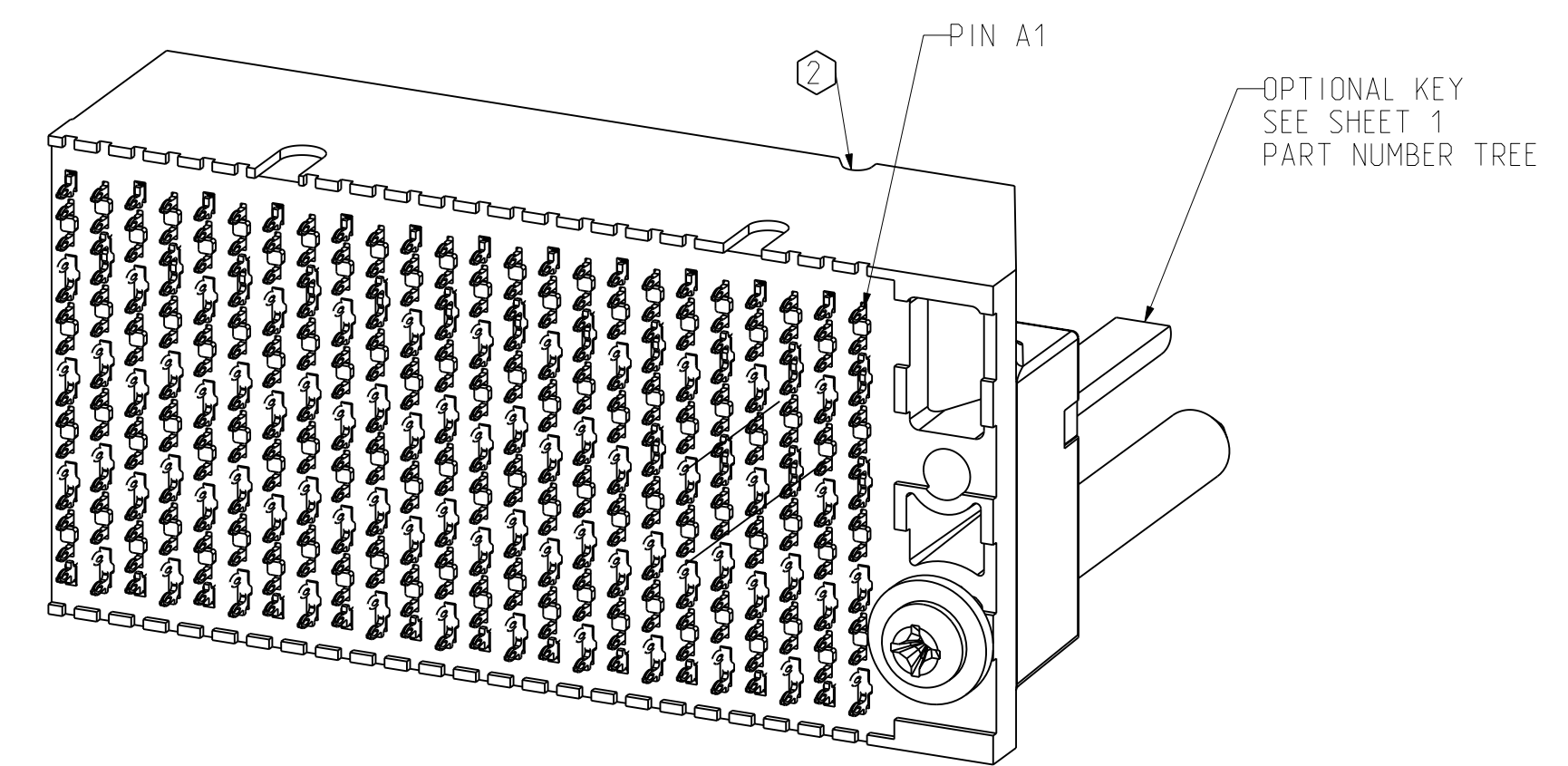
LEFT POLARIZING/GUIDE BACKPLANE MODULE DIMENSION



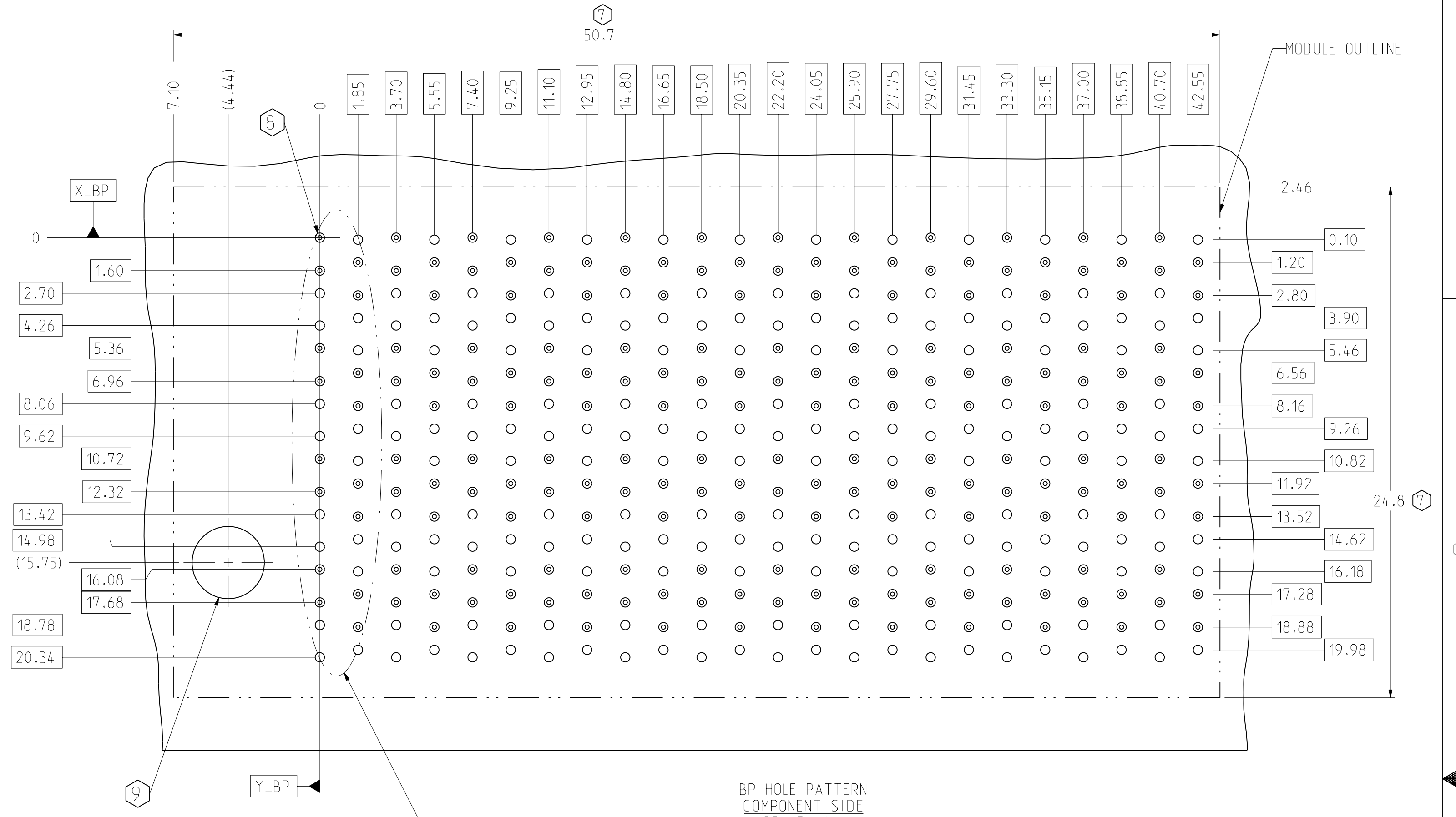
CONNECTOR REFERENCE SCALE 3/1



PART NUMBER	DIM "R"	DIM "T"
951-4XON-X 0 X	31.6	23.0
951-4XON-X 1 X		
951-4XON-X 4 X	25.7	20.2
951-4XON-X 5 X		



ISOMETRIC VIEW SCALE 3/1



BP HOLE PATTERN COMPONENT SIDE SCALE 6/1

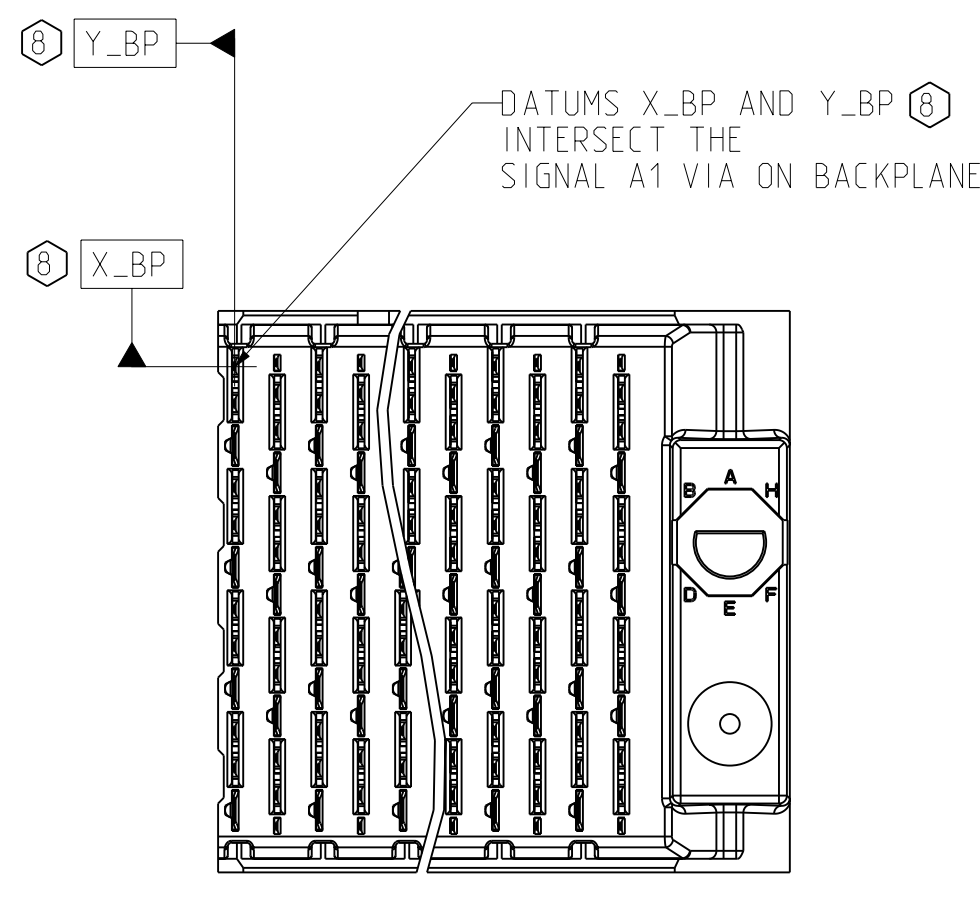
LEFT POLARIZING/GUIDE BACKPLANE FOOTPRINT

TOLERANCES		DESIGN 10/04/2006	Amphenol TCS A Division of Amphenol Corporation 200 Innovative Way, Nashua, NH 03062 603.879.3000	TITLE	BACKPLANE MODULES, VERTICAL MALE HEADER XCede, 4 PAIR 24 POSITION	
0.0	±0.25	LEIGHTON		PART NO.	SEE PN TREE SHEET 1	REV N/A
0.00	±0.13	DRAWN 06/22/2010		HCL-GM		
0.000	±	CHK 06/22/2010		A.PFAHNL		
ANGLES	± 3°	APVD 06/22/2010	A.PFAHNL			
UNLESS OTHERWISE SPECIFIED DIMENSIONS ARE IN MM. DECIMAL MARKER IS A PERIOD.						
CUSTOMER USE DRAWING		DRAWING NO. C951-400N-500		REV A		
		Pro/E Type: C951-4-BP4-24POS		1.1		
		Pro/E DRAWING: C951-400N-500		A.1		
SIZE D	SCALE 3/1	SHEET 3 OF 8				

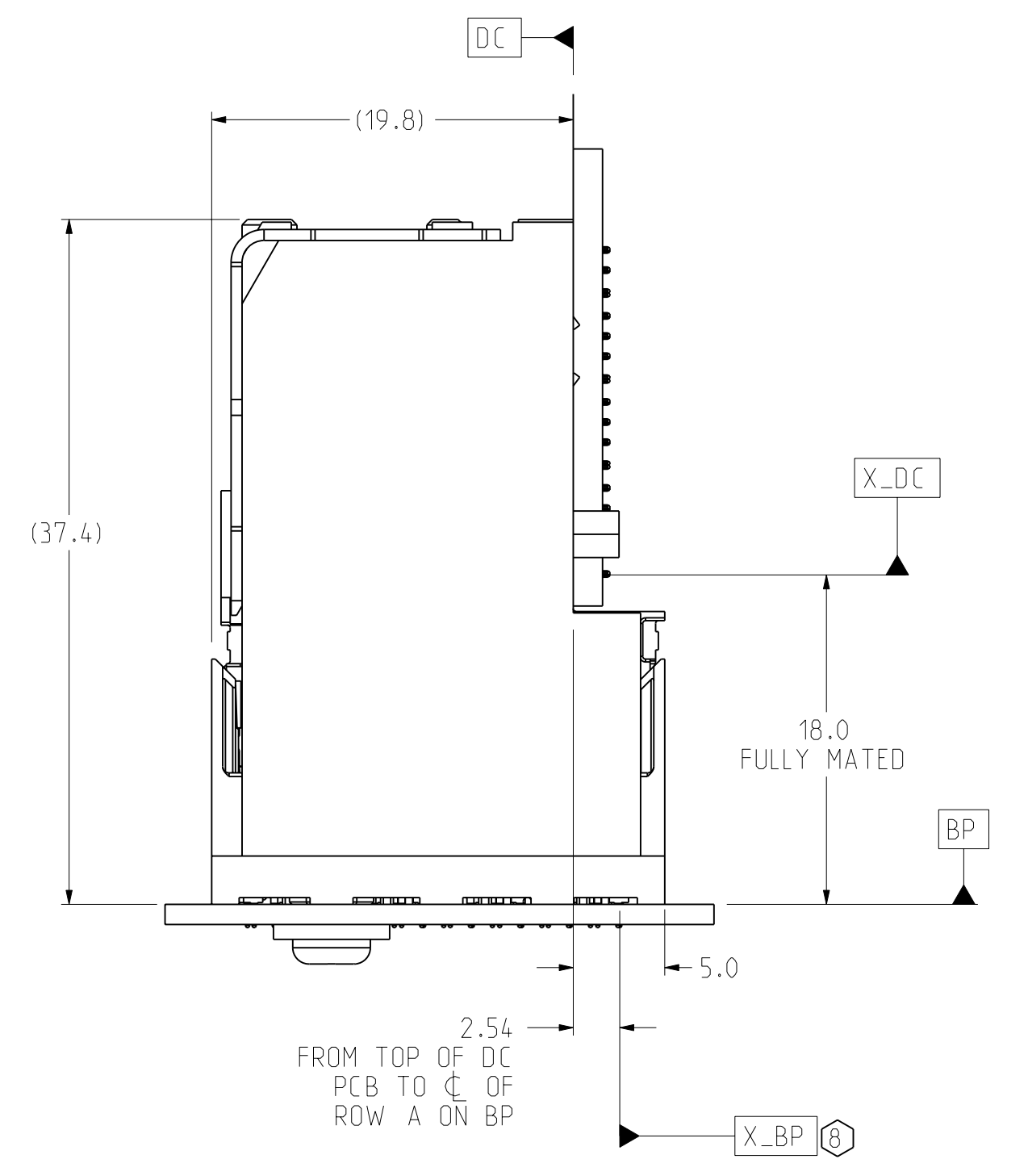
INTERPRET PER ASME Y14.5M
CODE IDENT 31413

DRW NO. C951-400N-500

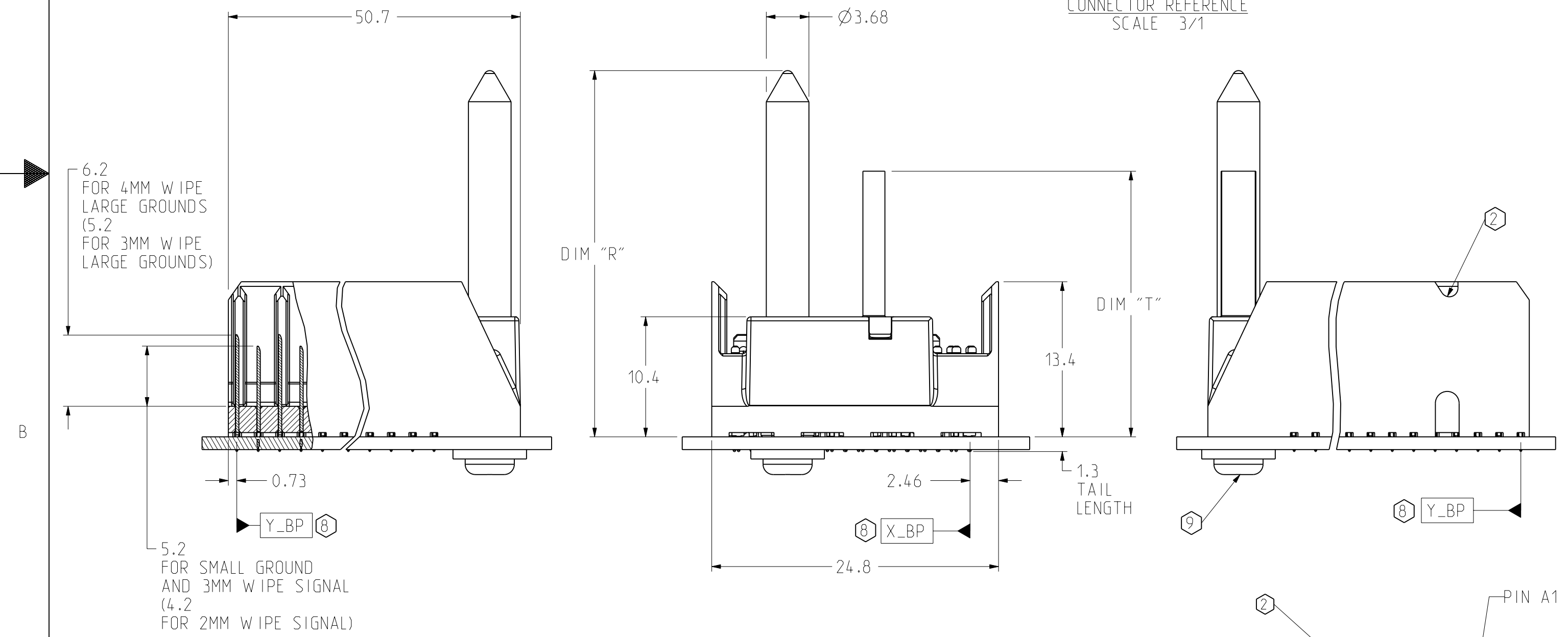
SH 3
REV A



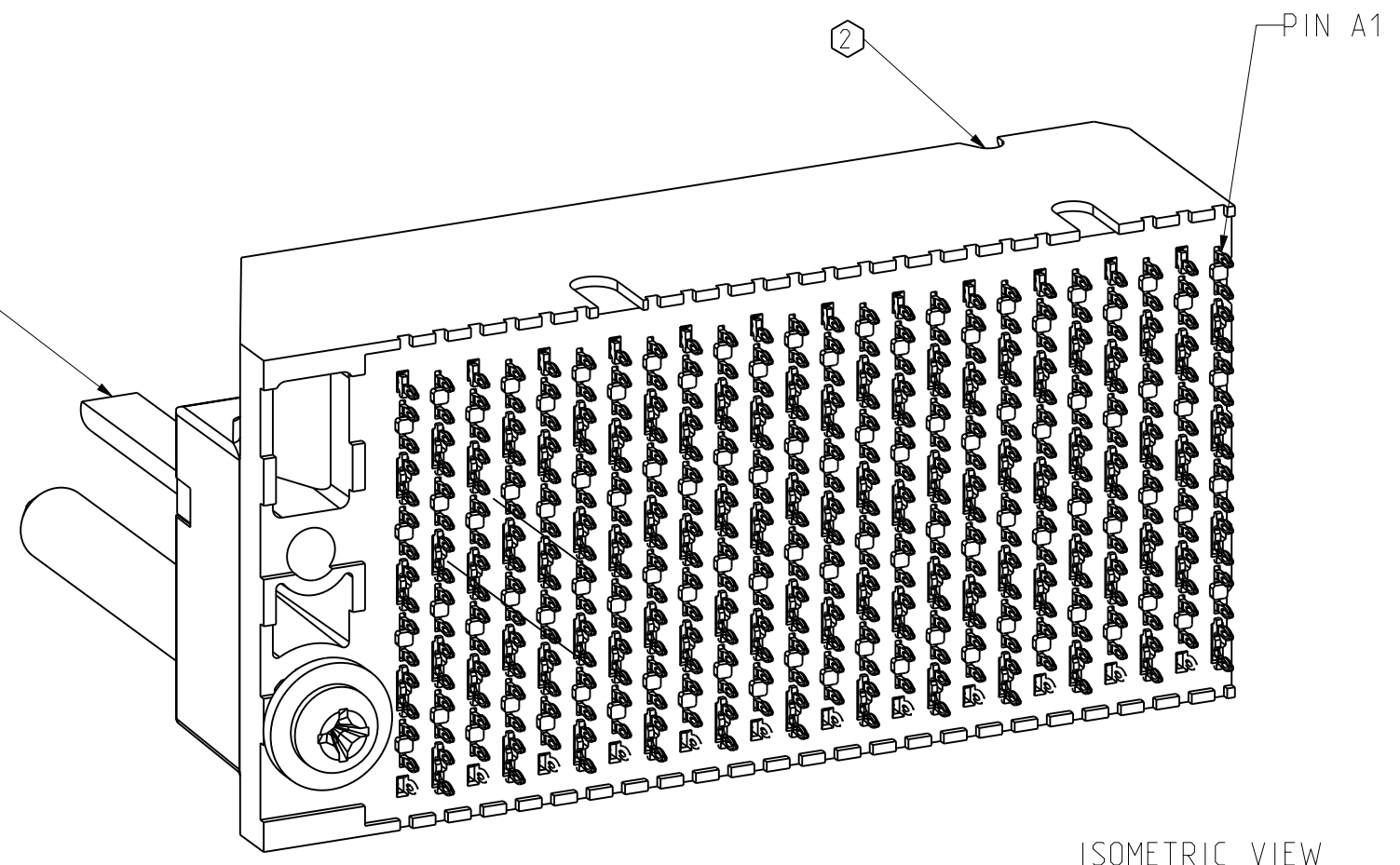
RIGHT POLARIZING/GUIDE BACKPLANE MODULE DIMENSION



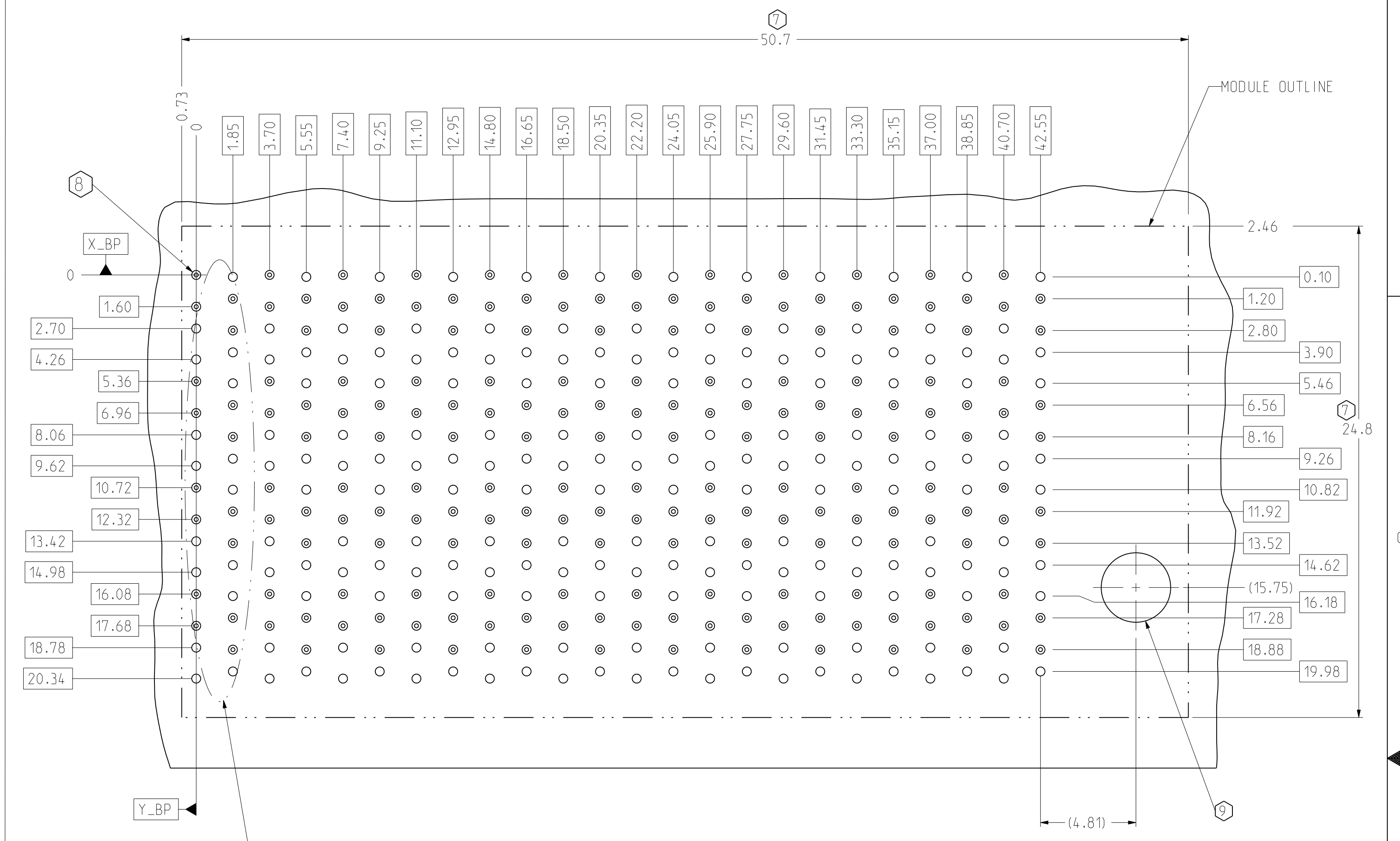
CONNECTOR REFERENCE SCALE 3/1



OPTIONAL KEY SEE SHEET 1 PART NUMBER TREE



ISOMETRIC VIEW SCALE 3/1



SEE DETAIL A & B SEE SHEET 8 FOR PINOUT DETAILS

RIGHT POLARIZING/GUIDE BACKPLANE FOOTPRINT

PART NUMBER	DIM "R"	DIM "T"
951-4XON-X 0 X 951-4XON-X 1 X	31.6	23.0
951-4XON-X 4 X 951-4XON-X 5 X	25.7	20.2

TOLERANCES	DESIGN 10/04/2006 LEIGHTON	Amphenol TCS A Division of Amphenol Corporation 200 Innovative Way, Nashua, NH 03062 603.879.3000
0.0 ±0.25	DRAWN 06/22/2010 HCL-GM	
0.00 ±0.13	CHK 06/22/2010 A.PFAHNL	
0.000 ± -	APVD 06/22/2010 A.PFAHNL	
ANGLES ± 3°	TITLE BACKPLANE MODULES, VERTICAL MALE HEADER XCede, 4 PAIR 24 POSITION	
PART NO. SEE PN TREE SHEET 1		REV N/A
DRAWING NO. C951-400N-500		REV A
Pro/E Type: C951-4--BP4-24POS		1.1
Pro/E DRAWING: C951-400N-500		A.1
SIZE D	SCALE 3/1	SHEET 4 OF 8

UNLESS OTHERWISE SPECIFIED DIMENSIONS ARE IN MM. DECIMAL MARKER IS A PERIOD

INTERPRET PER ASME Y14.5M
CODE IDENT 31413

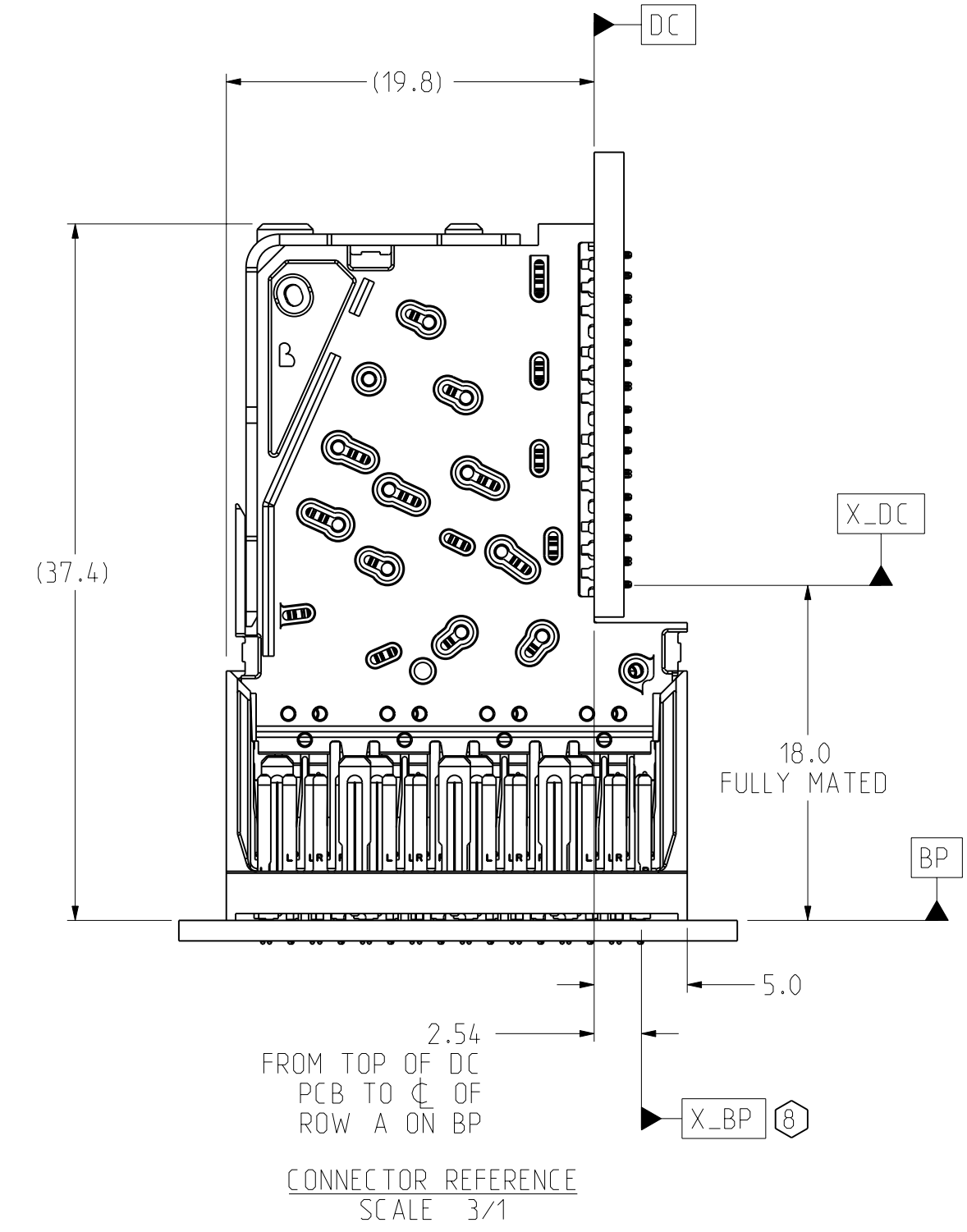
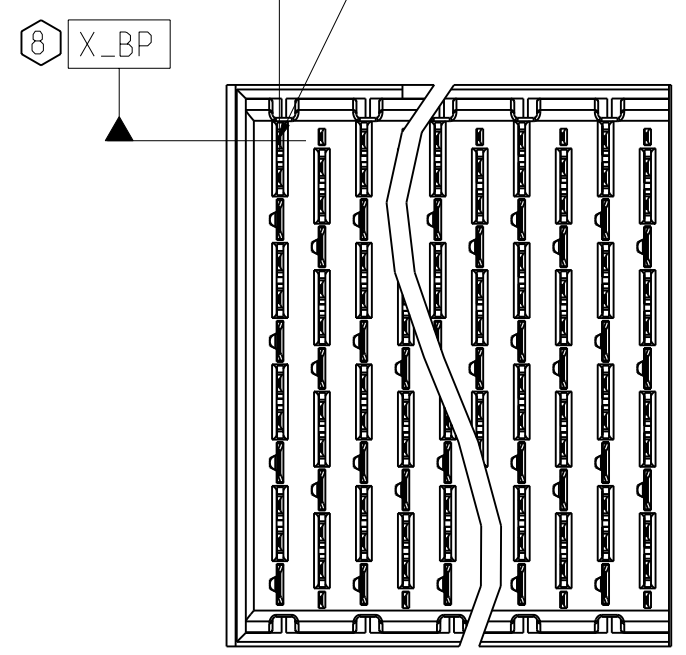
CUSTOMER USE DRAWING

C951-400N-500

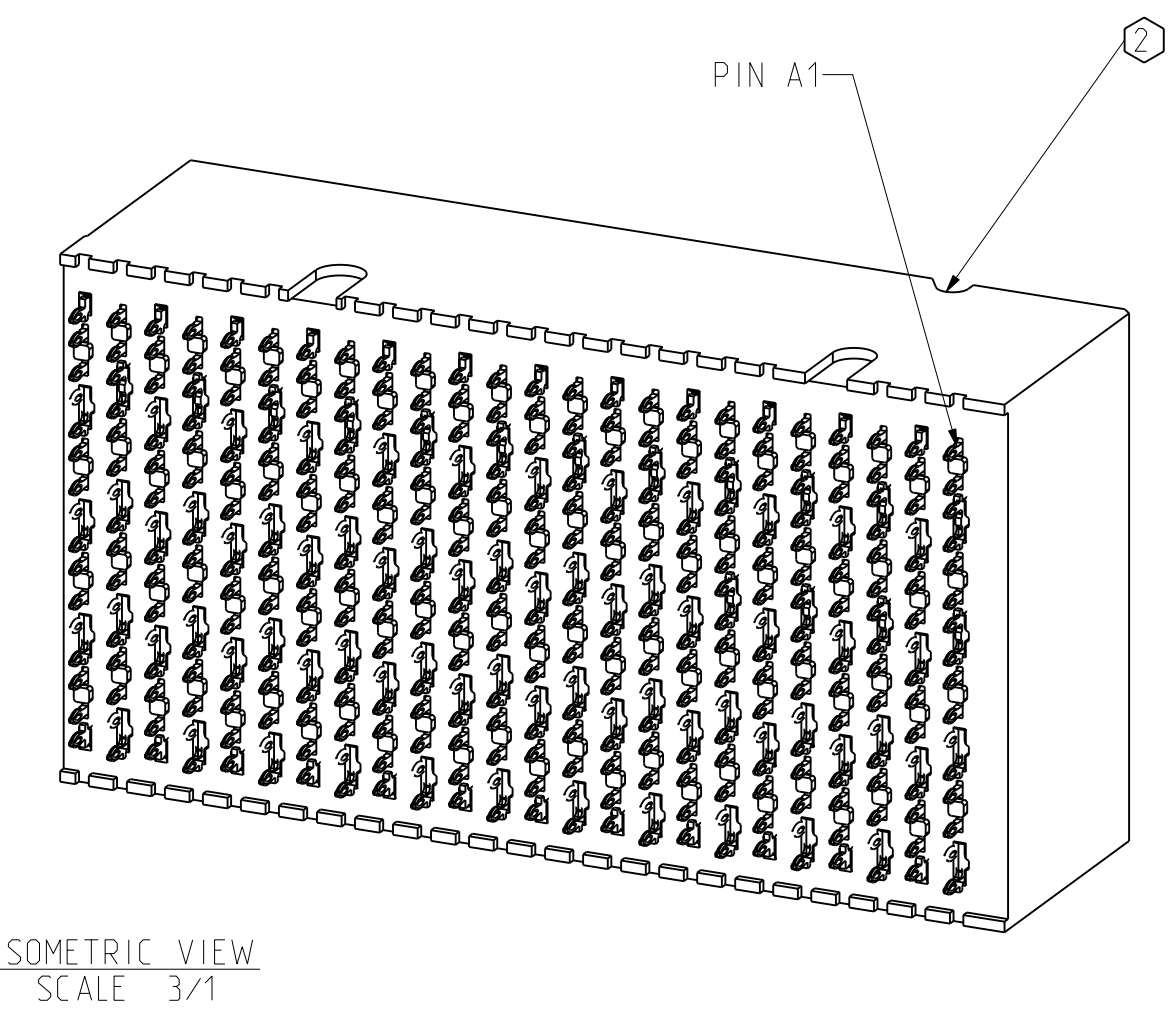
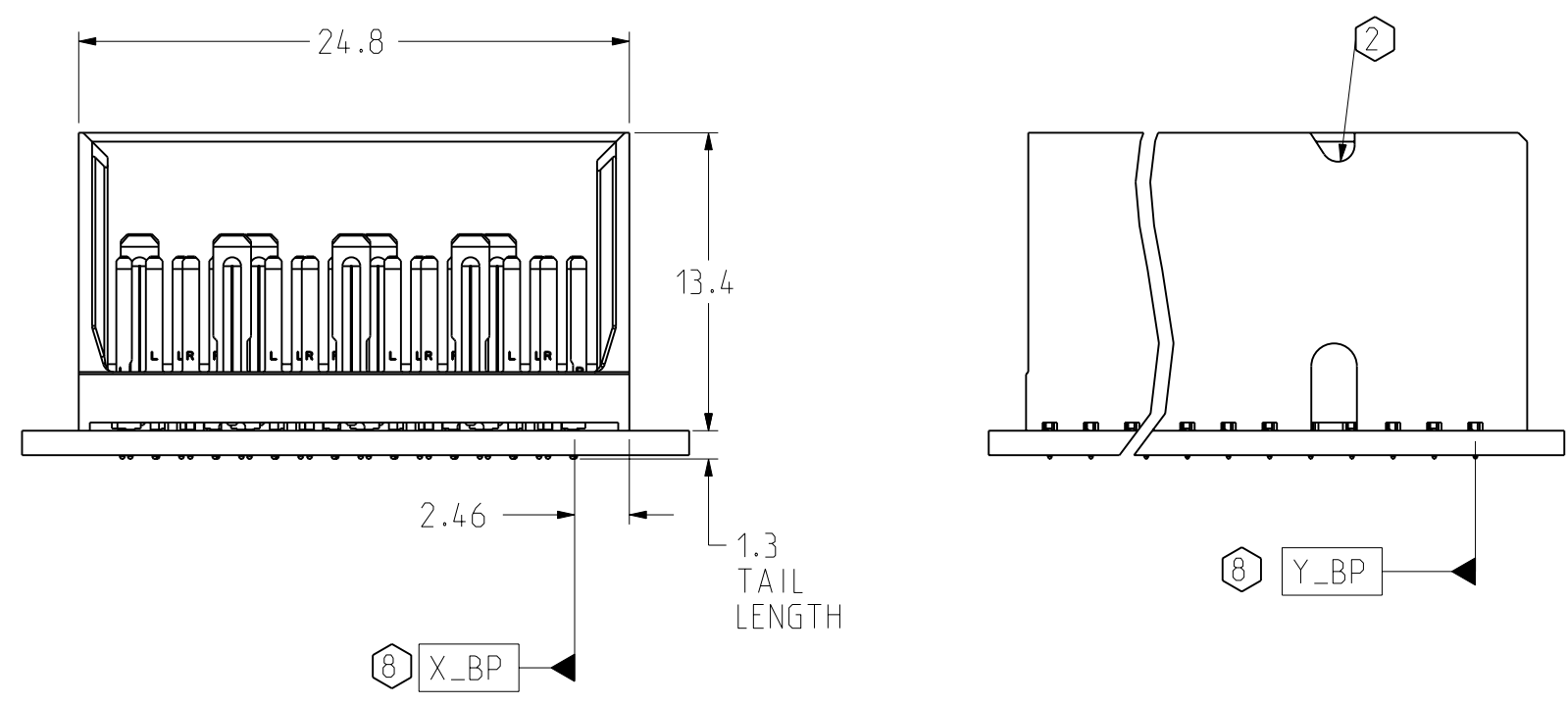
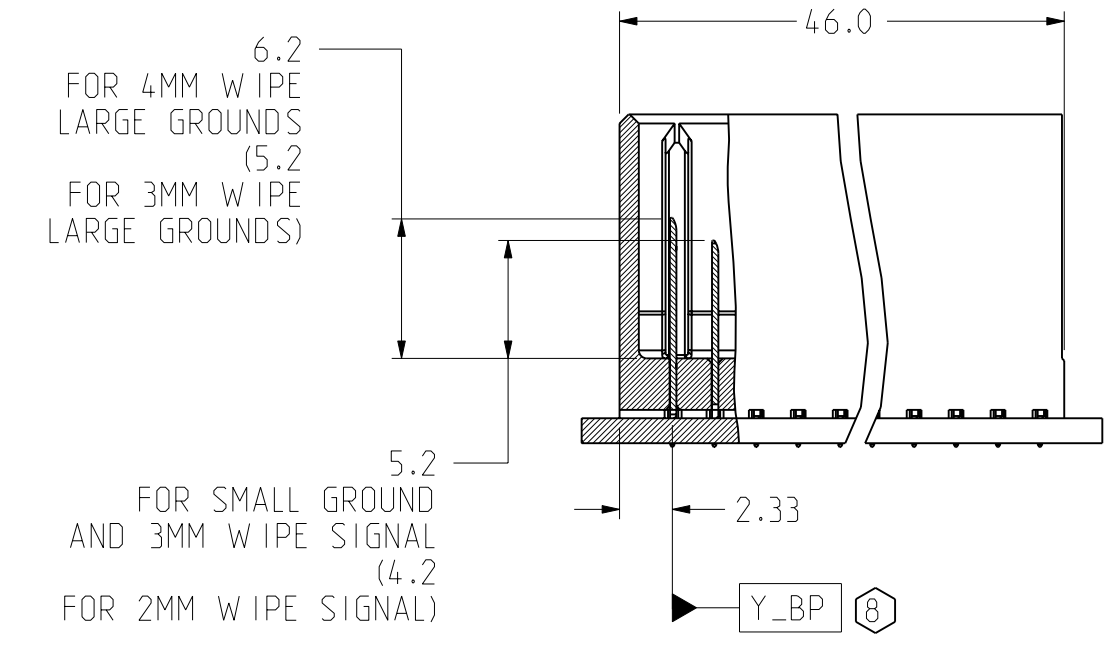
SH 4
REV A

DRW NO.	C951-400N-500	SH	5	REV	A	
ZONE	REV	SCR NUMBER	DESCRIPTION	BY	DATE	APPROVED
			SEE SHEET 1			

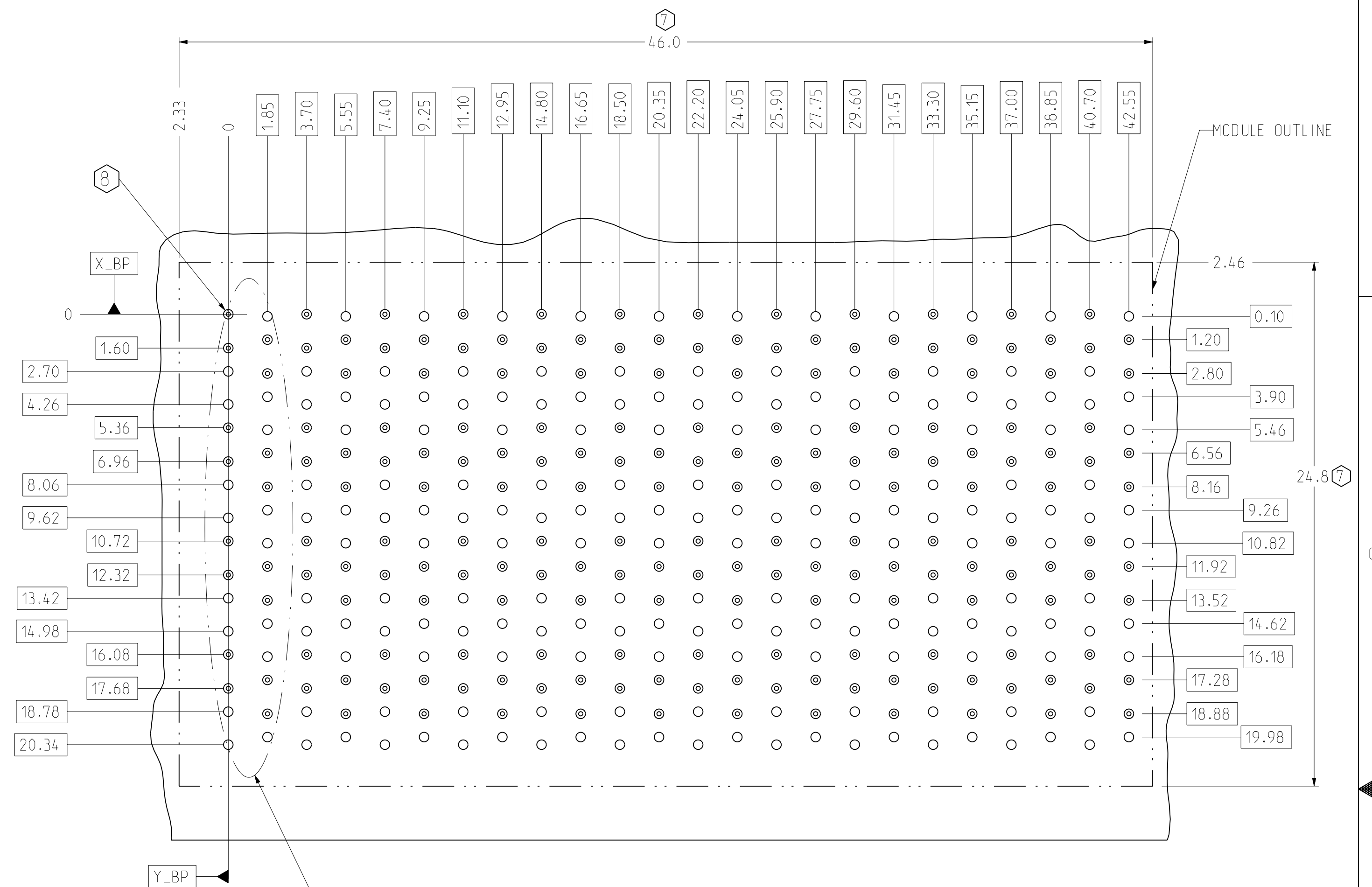
DATUMS X_BP AND Y_BP INTERSECT THE SIGNAL A1 VIA ON BACKPLANE



LEFT WALL BACKPLANE MODULE DIMENSION



ISOMETRIC VIEW SCALE 3/1



SEE DETAIL A & B SEE SHEET 8 FOR PINOUT DETAILS

BP HOLE PATTERN COMPONENT SIDE SCALE 6/1

LEFT WALL BACKPLANE FOOTPRINT

TOLERANCES		DESIGN 10/04/2006 LEIGHTON	Amphenol TCS A Division of Amphenol Corporation 200 Innovative Way, Nashua, NH 03062 603.879.3000	TITLE	BACKPLANE MODULES, VERTICAL MALE HEADER XCede, 4 PAIR 24 POSITION	
0.0	±0.25	DRAWN 06/22/2010 HCL-GM		PART NO.	SEE PN TREE SHEET 1	REV N/A
0.00	±0.13	CHK 06/22/2010 A.PFAHNL		DRAWING NO.	C951-400N-500	REV A
0.000	± -	APVD 06/22/2010 A.PFAHNL		ProjE type: C951-4-BP4-24POS	1.1	ProjE DRAWING: C951-400N-500 A.1
ANGLES ± 3°		UNLESS OTHERWISE SPECIFIED DIMENSIONS ARE IN MM. DECIMAL MARKER IS A PERIOD		SCALE	4/1	SHEET 5 OF 8

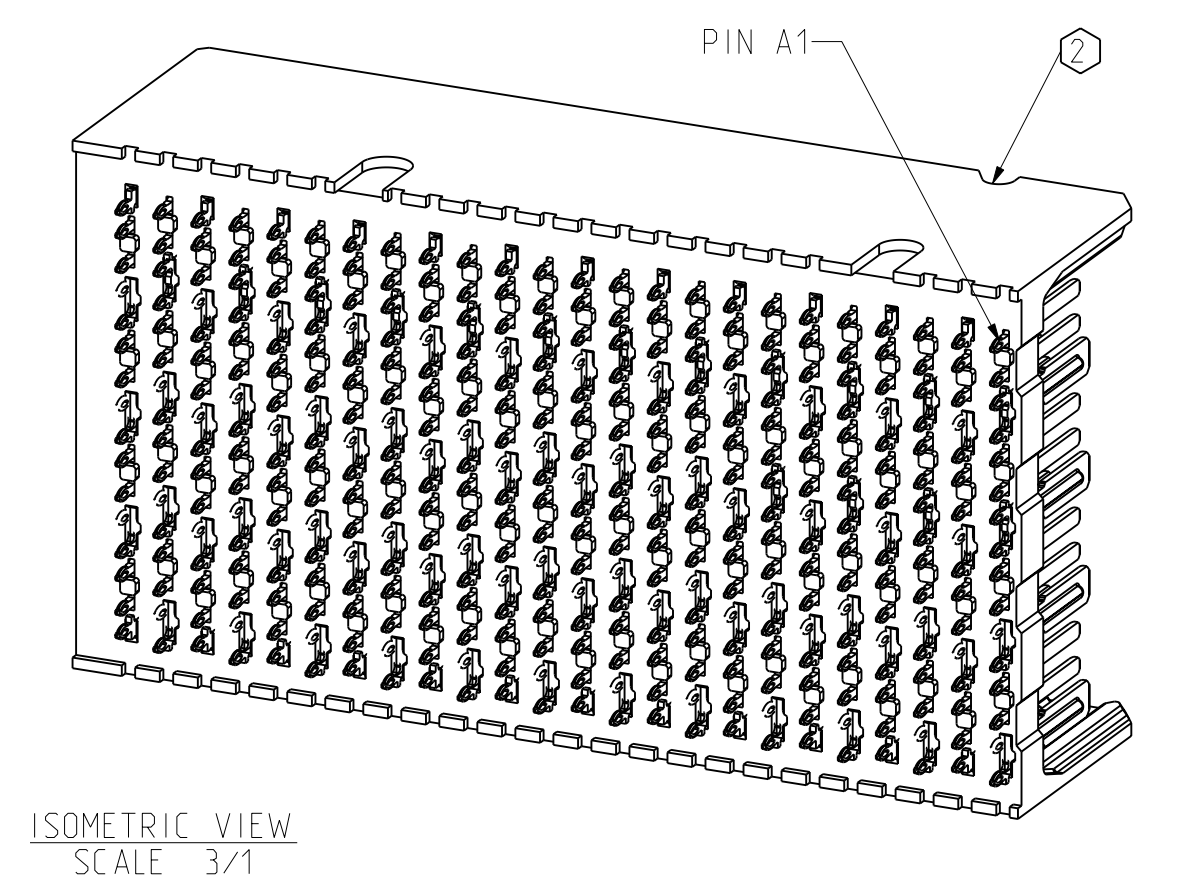
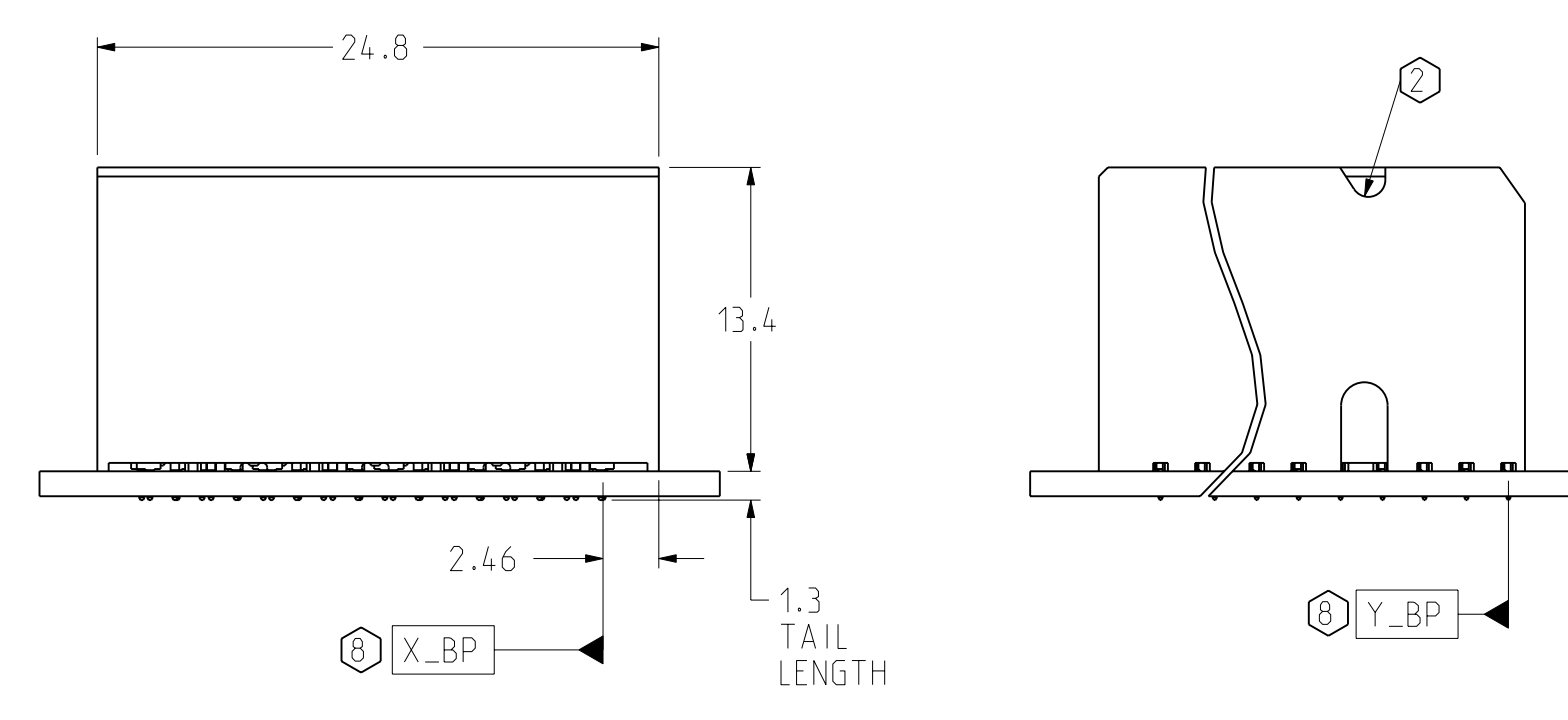
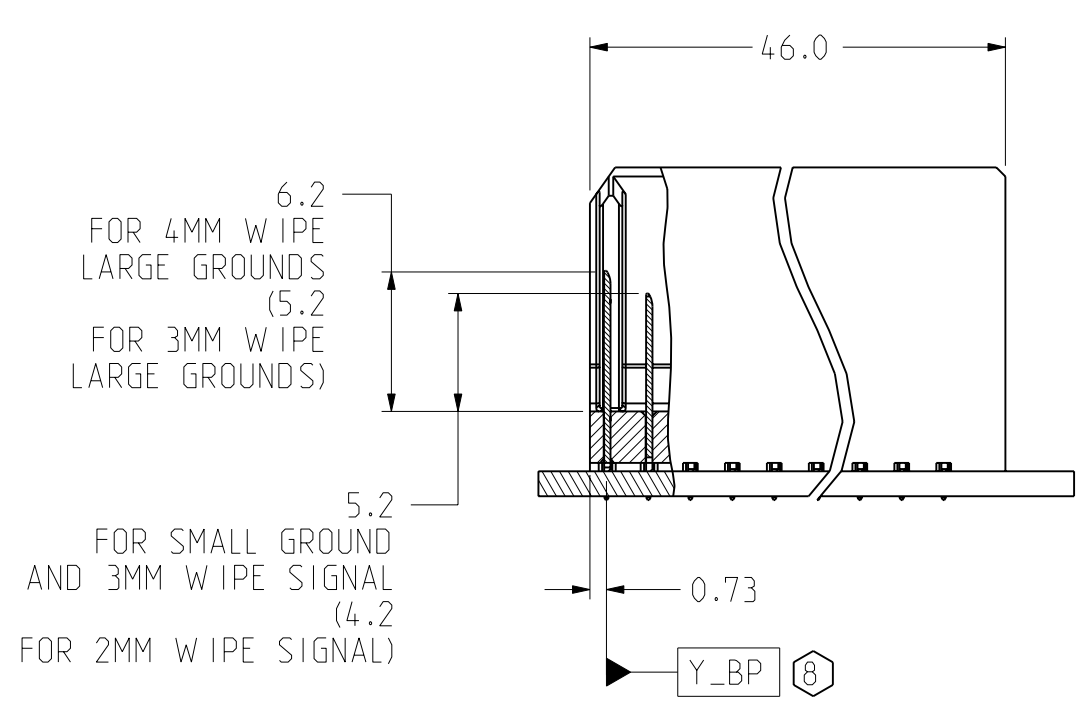
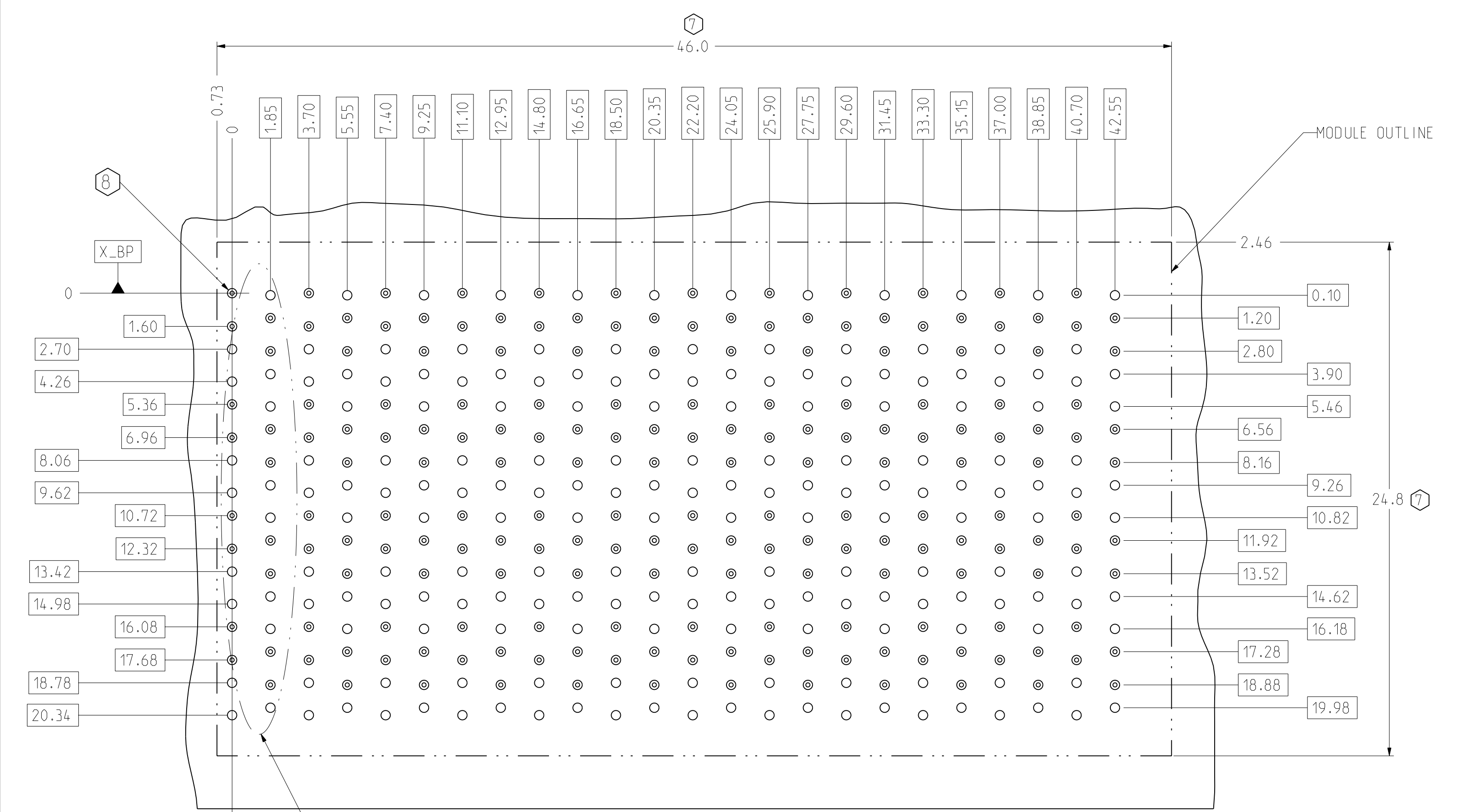
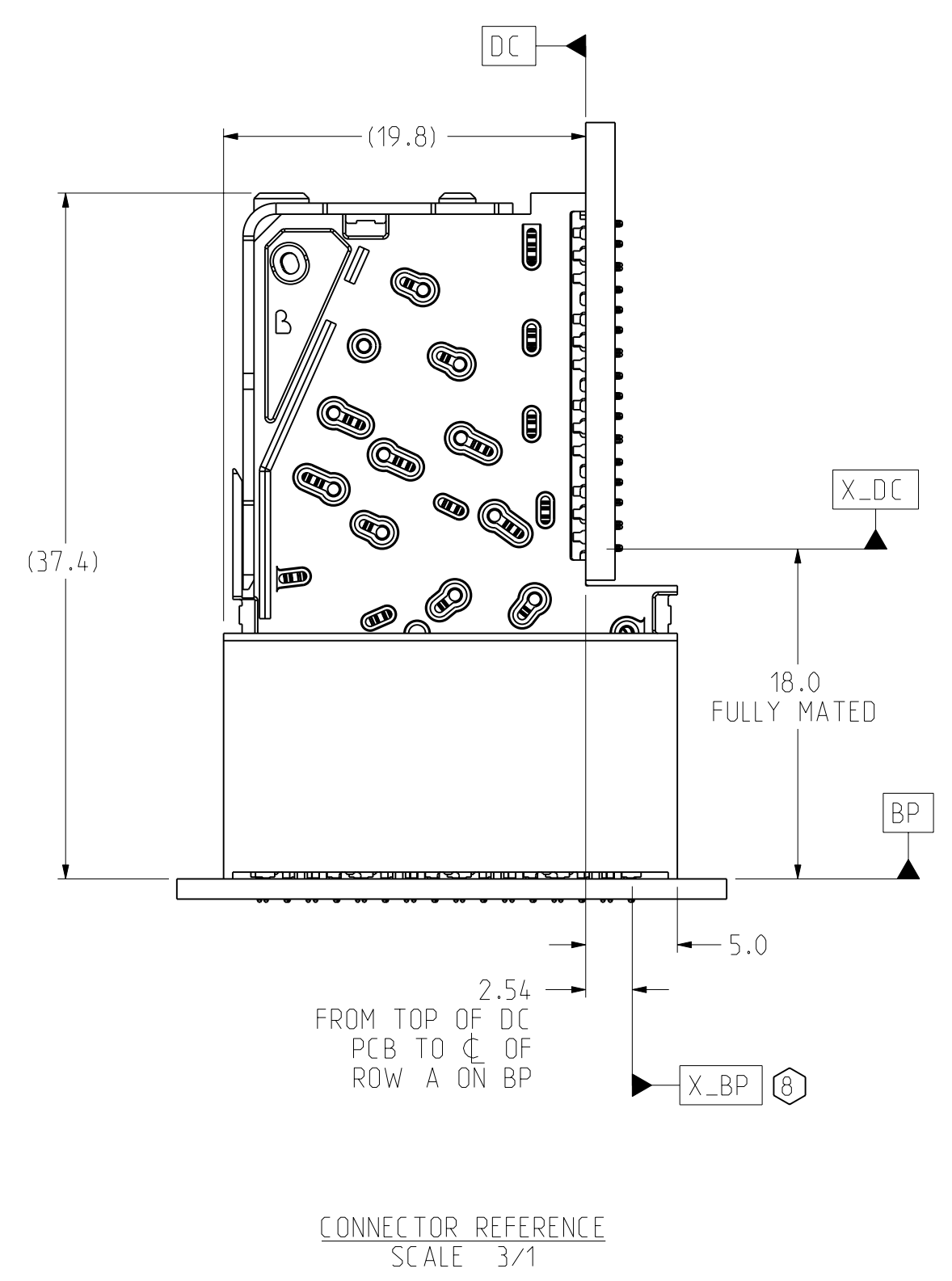
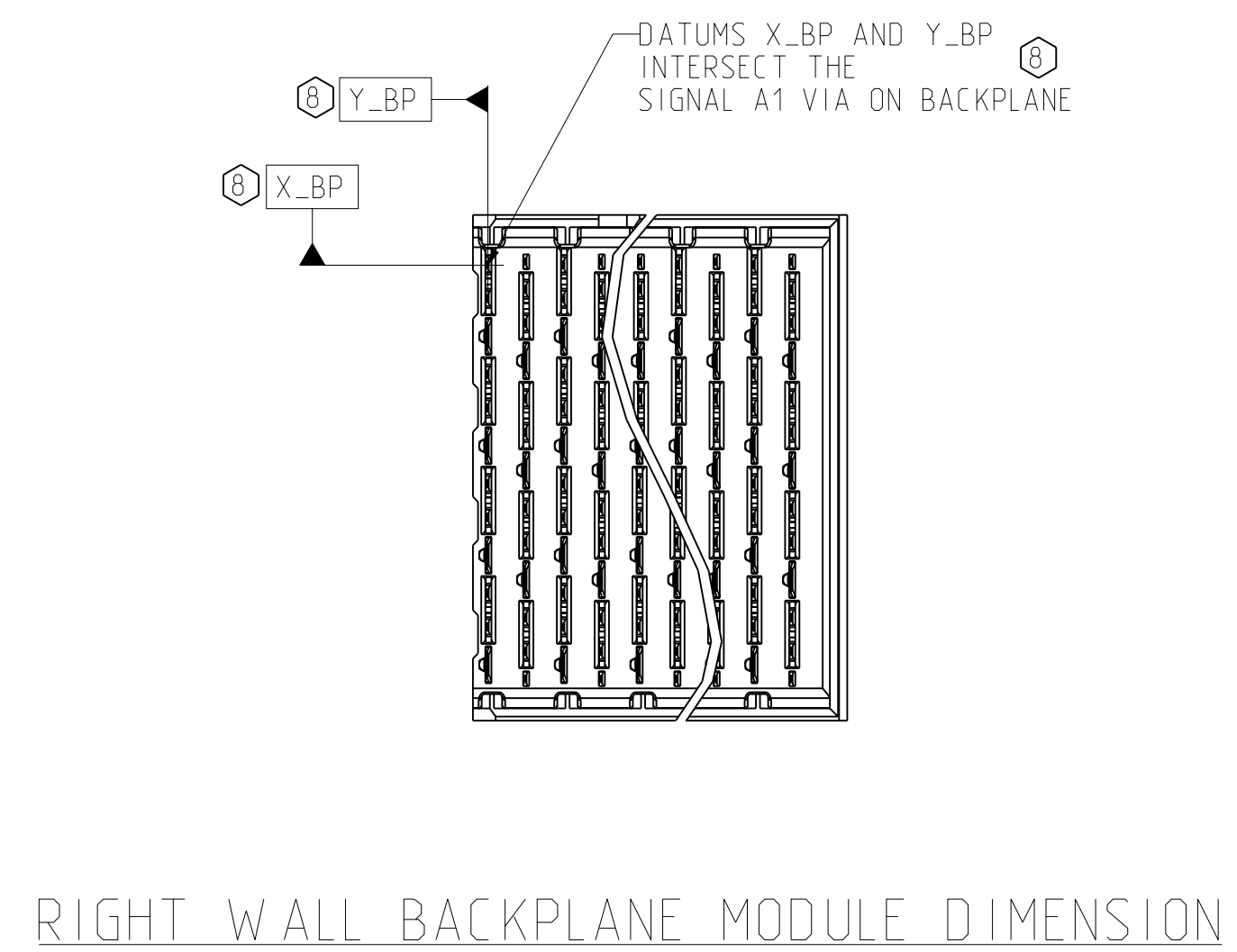
INTERPRET PER ASME Y14.5M
CODE IDENT 31413

CUSTOMER USE DRAWING

C951-400N-500

SH 5 REV A

DRW NO.	C951-400N-500	SH	6	REV	A	
ZONE	REV	SCR NUMBER	DESCRIPTION	BY	DATE	APPROVED
			SEE SHEET 1			



BP HOLE PATTERN COMPONENT SIDE SCALE 6/1

SEE DETAIL A & B SEE SHEET 8 FOR PINOUT DETAILS

RIGHT WALL BACKPLANE FOOTPRINT

TOLERANCES		DESIGN 10/04/2006 LEIGHTON	Amphenol TCS A Division of Amphenol Corporation 200 Innovative Way, Nashua, NH 03062 803.879.3000
0.0	±0.25	DRAWN 06/22/2010 HCL-GM	
0.00	±0.13	CHK 06/22/2010 A.PFAHNL	
0.000	± -	APVD 06/22/2010 A.PFAHNL	
ANGLES ± 3°		TITLE BACKPLANE MODULES, VERTICAL MALE HEADER XCede, 4 PAIR 24 POSITION	
UNLESS OTHERWISE SPECIFIED DIMENSIONS ARE IN MM. DECIMAL MARKER IS A PERIOD			PART NO. SEE PN TREE SHEET 1
DRAWING NO. C951-400N-500			REV N/A
Pro/E Type: C951-4--BP4-24POS			1.1
Pro/E DRAWING: C951-400N-500			A.1
SIZE D	SCALE 2/1	SHEET 6 OF 8	

INTERPRET PER ASME Y14.5M
CODE IDENT 31413

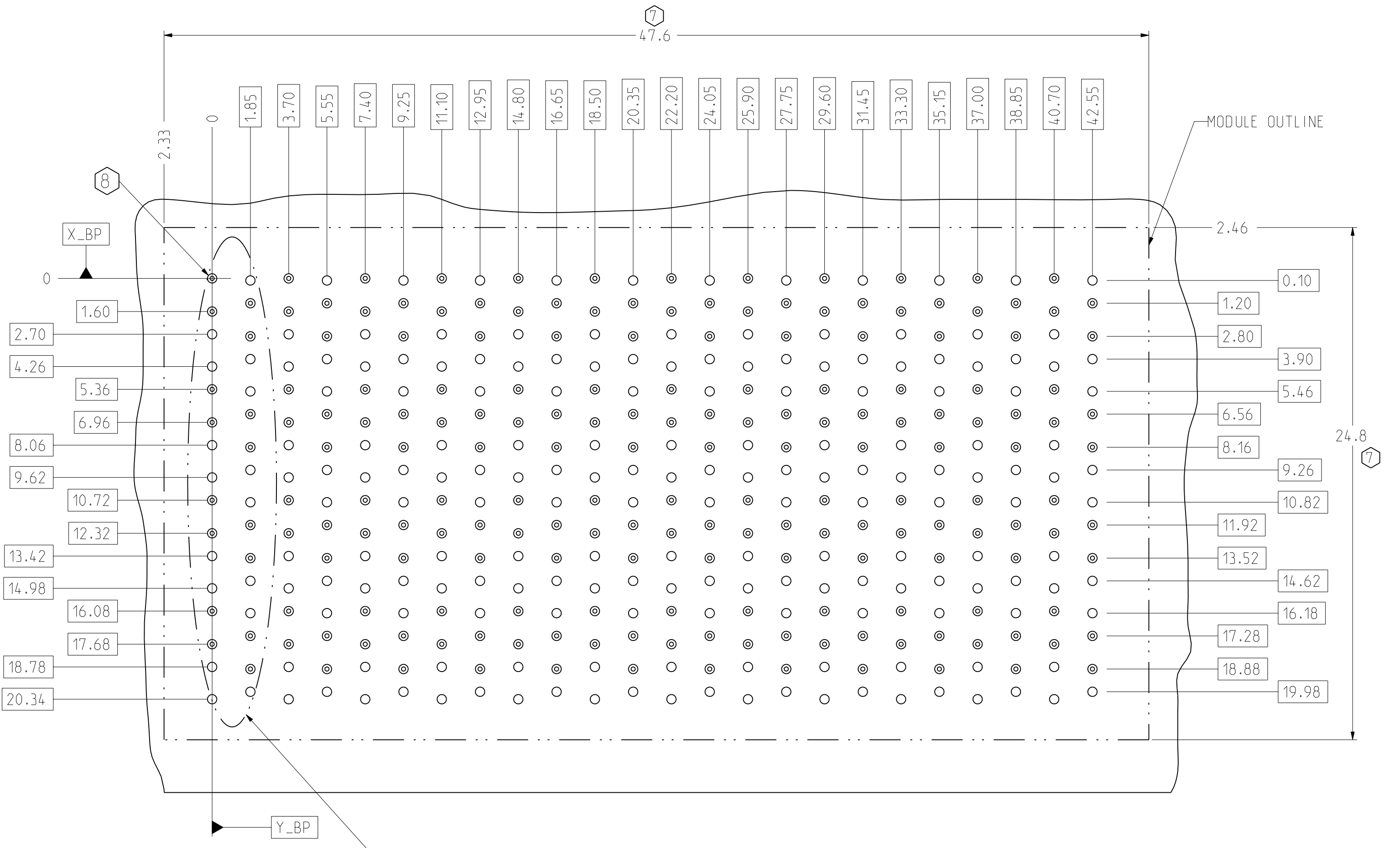
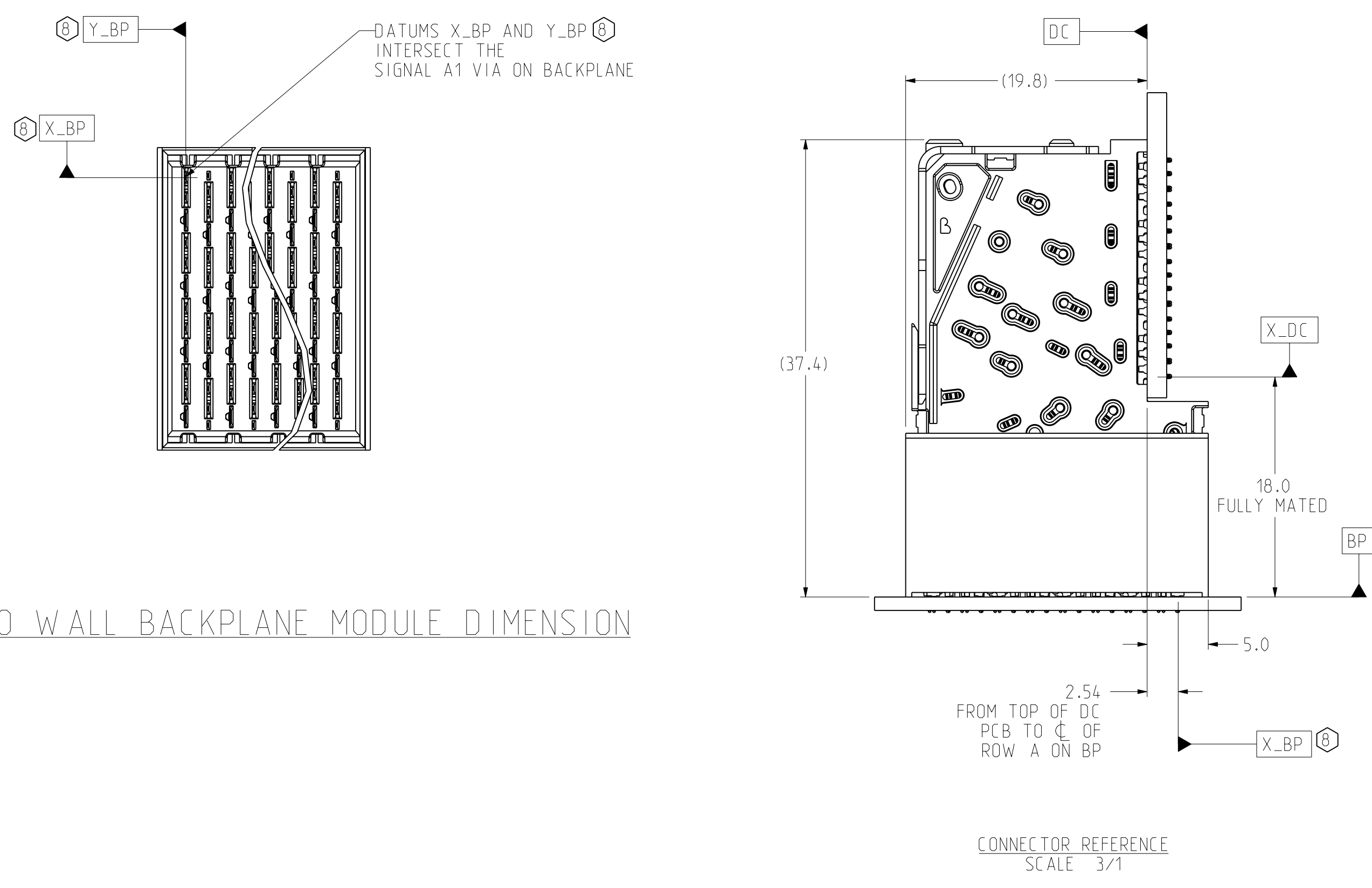
CUSTOMER USE DRAWING

DRAWING NO. C951-400N-500

SH 6 REV A

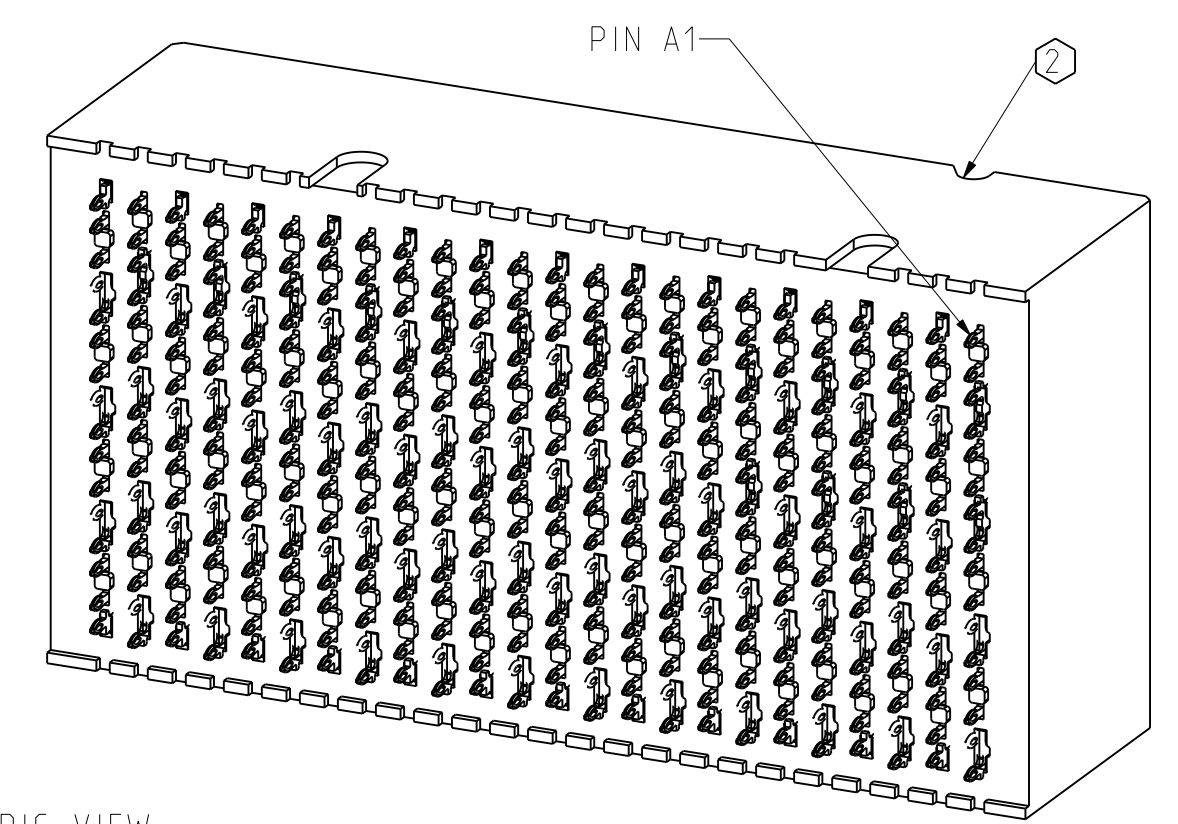
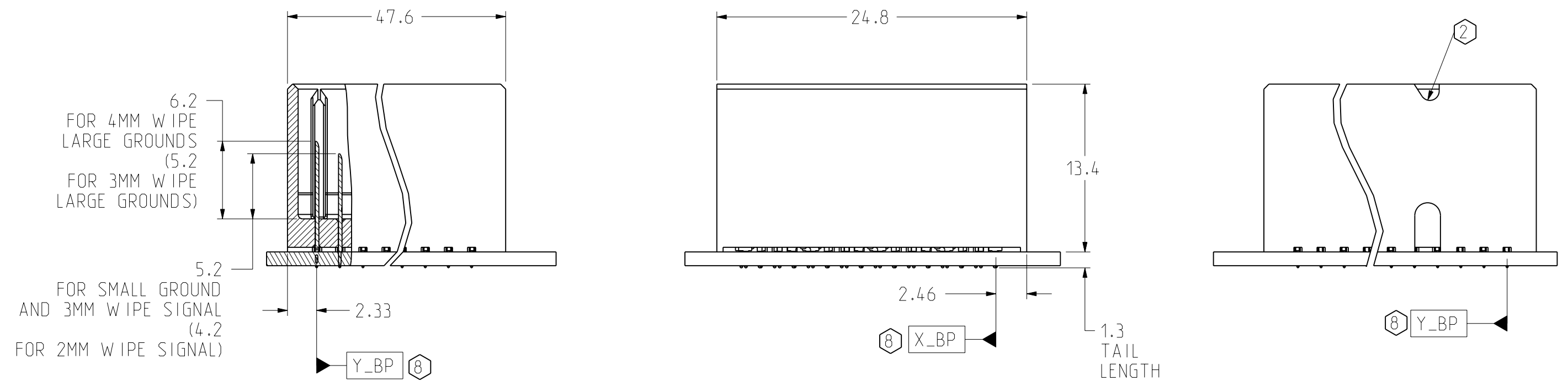
DRW NO.	C951-400N-500	SH	7	REV	A	
ZONE	REV	SCR NUMBER	DESCRIPTION	BY	DATE	APPROVED
			SEE SHEET 1			

TWO WALL BACKPLANE MODULE DIMENSION



BP HOLE PATTERN
COMPONENT SIDE
SCALE 6/1

TWO WALL BACKPLANE FOOTPRINT



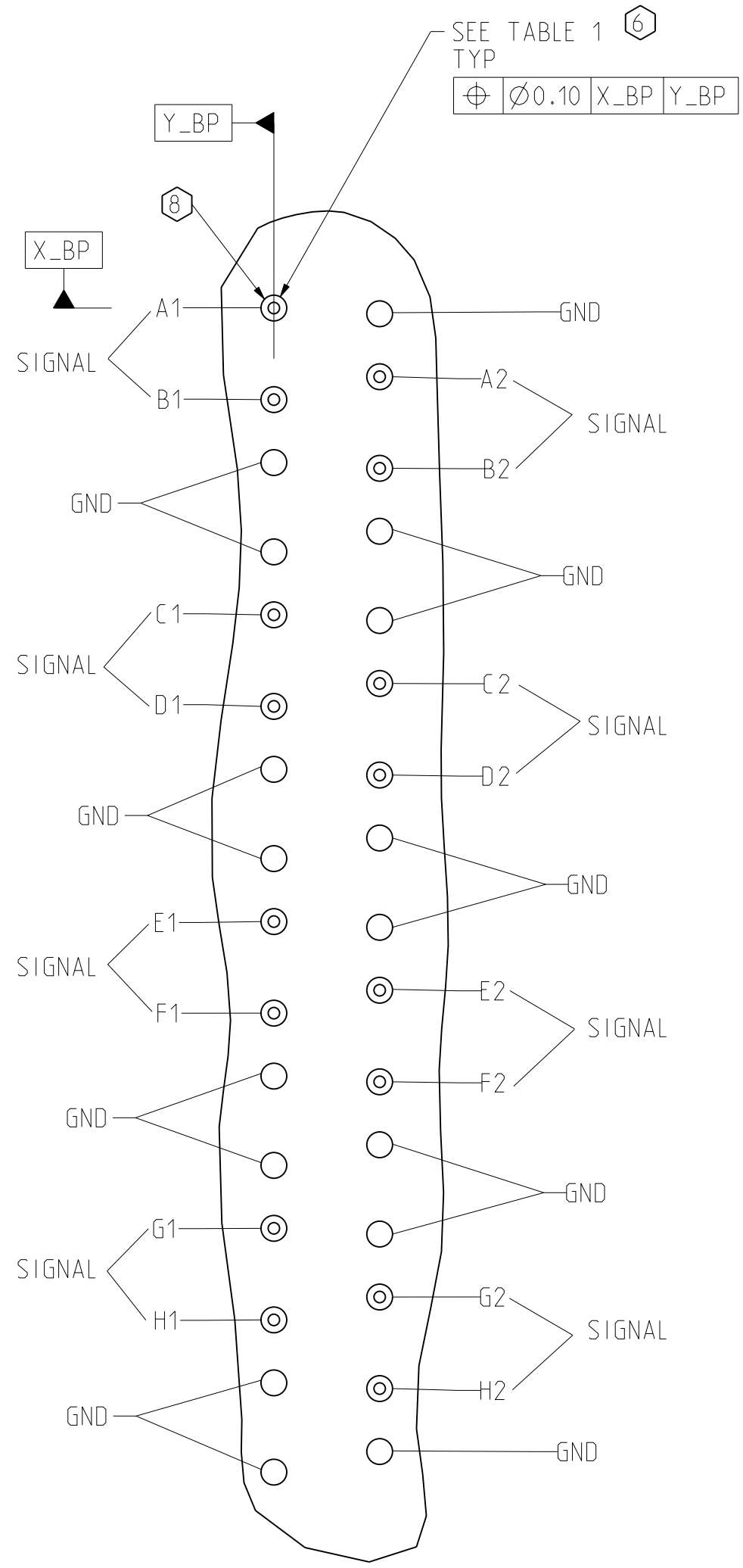
ISOMETRIC VIEW
SCALE 3/1

TOLERANCES		DESIGN 10/04/2006	Amphenol TCS A Division of Amphenol Corporation 200 Innovative Way, Nashua, NH 03062 603.879.3000	TITLE	BACKPLANE MODULES, VERTICAL MALE HEADER XCede, 4 PAIR 24 POSITION	
0.0	±0.25	LEIGHTON		PART NO.	SEE PN TREE SHEET 1	REV N/A
0.00	±0.13	DRAWN 06/22/2010		HCL-GM		
0.000	± -	CHK 06/22/2010		A.PFAHNL		
ANGLES	± 3°	APVD 06/22/2010	A.PFAHNL	DRAWING NO.	C951-400N-500	
UNLESS OTHERWISE SPECIFIED DIMENSIONS ARE IN MM. DECIMAL MARKER IS A PERIOD			CUSTOMER USE DRAWING		Pro/E Type: C951-4-BP4-24POS Pro/E DRAWING: C951-400N-500	
SIZE	D	SCALE	4/1	SHEET	7 OF 8	

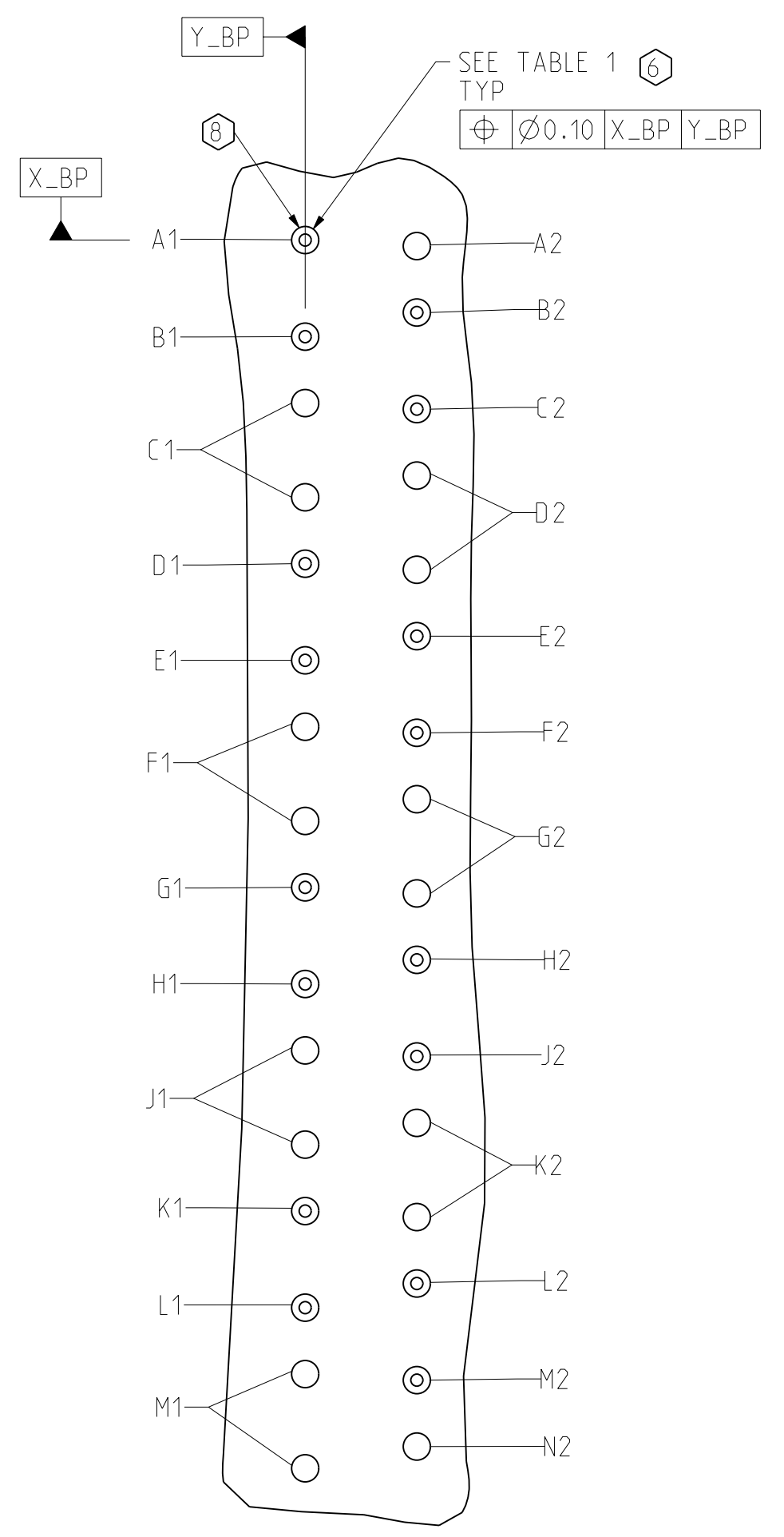
INTERPRET PER ASME Y14.5M
CODE IDENT 31413

DRW NO. C951-400N-500
SH 7
REV A

ZONE	REV	SCR NUMBER	DESCRIPTION	BY	DATE	APPROVED
			SEE SHEET 1			



DETAIL A
HSD PINOUTS
SCALE 10/1



DETAIL B
LC PINOUTS
SCALE 10/1

TABLE 1

	COMPLIANT PIN DRILL Ø0.0217"	COMPLIANT PIN DRILL Ø0.0177"
PTH	Ø0.45±0.05	Ø0.36±0.05
DRILL	Ø0.55 [0.0217"]	Ø0.45 [0.0177"]
PAD	Ø0.85	Ø0.75

TOLERANCES		DESIGN 10/04/2006 LEIGHTON	Amphenol TCS A Division of Amphenol Corporation 200 Innovative Way, Nashua, NH 03062 603.879.3000	TITLE BACKPLANE MODULES, VERTICAL MALE HEADER XCede, 4 PAIR 24 POSITION		
0.0	±0.25	DRAWN 06/22/2010 HCL-GM		PART NO.	SEE PN TREE SHEET 1	REV N/A
0.00	±0.13	CHK 06/22/2010 A.PFAHNL		DRAWING NO.	C951-400N-500	REV A
0.000	± -	APVD 06/22/2010 A.PFAHNL		UNLESS OTHERWISE SPECIFIED DIMENSIONS ARE IN MM. DECIMAL MARKER IS A PERIOD		Pro/E Type: C951-4-BP4-24POS Pro/E DRAWING: C951-400N-500 1.1 A.1
ANGLES	± 3°		CUSTOMER USE DRAWING		SIZE D SCALE 4/1 SHEET 8 OF 8	

UNLESS OTHERWISE SPECIFIED DIMENSIONS
ARE IN MM. DECIMAL MARKER IS A PERIOD

INTERPRET PER ASME Y14.5M

CODE IDENT 31413

DRAWING NO. C951-400N-500

SH 8 REV A